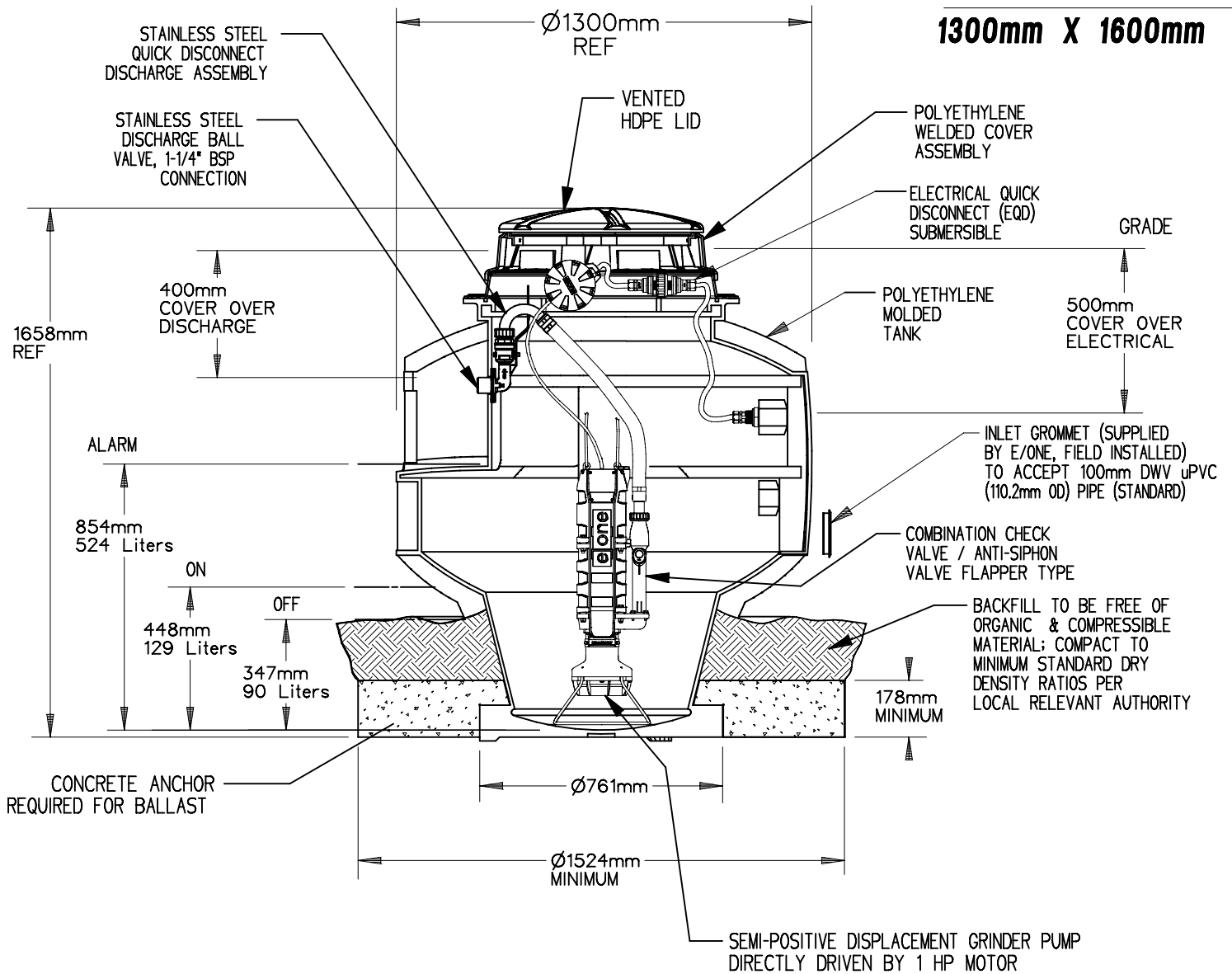


MODEL 2012iP

1300mm X 1600mm



SPECIFICATIONS

2012iP - 1300 x 1600

BASIN	Diameter (mm)	Height (mm)	Weight (kg)	Total Capacity (l)	Capacity Above Alarm (l)	Ballast (m ³)	Inlet Pipe Size (mm)
	1300	1600	100	989	465	SEE DWG	100
PUMP	Pump (s)	Dimensions (mm)	Weight (kg)	Nominal Pump Rate @ 0m TDH (lps)	Nominal Pump Rate @ 20m TDH (lps)	Nominal Pump Rate @ 42m TDH (lps)	Discharge Size (mm)
	Simplex (1)	330 X 800	47	.75	.63	.47	32
ELECTRICAL	Voltage (VAC)	Phase	Cycle (Hz)	Supply Cable (m)	Alarm Panel		
	240	Single	50	As Specified	Simplex (1)		

KDO	PD	10/20/10	F	N/A
DR BY	CHK'D	DATE	ISSUE	SCALE



MODEL 2012iP DETAIL SHEET
(1300mm X 1600mm)

PA2006P01