

UNI-LATERAL™

Stainless Steel Lateral Valve

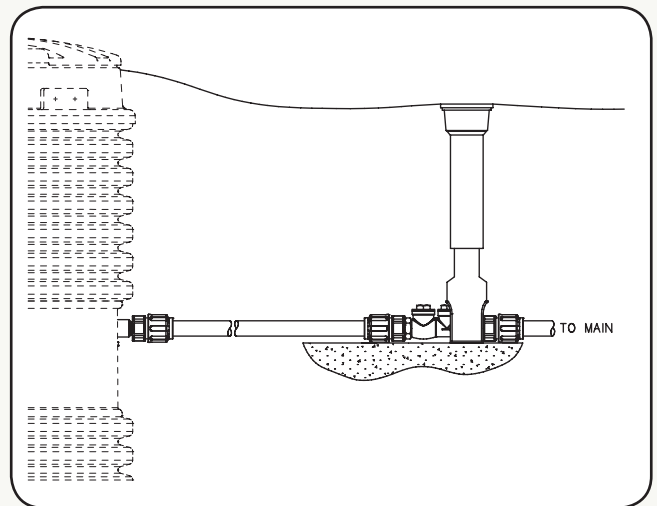
Introducing the UNI-LATERAL™ from E/One, all-stainless steel lateral valves for use with E/One grinder pump stations. Easily installed and accessed between the sewer main and sewer service line, UNI-LATERAL's advanced design effectively protects against potentially harmful backflow.

Available in 1.25-inch and 2-inch sizes, the UNI-LATERAL is an integrated unit consisting of a check valve, ball valve and cleanout all in a compact module — a first for the domestic market. The versatile design greatly reduces opportunity for leak paths — simplifying and speeding installation, while meeting all codes and regulations.



Features and Benefits

- 1-1/4" or 2" full-port design
- Designed for use with PVC (1-1/4" UNI-LATERAL only) and HDPE pressure sewer piping
- 316 stainless steel construction
- Integrated stainless steel ball valve curb stop and check valve
- Prevents backflow from the sewer main and into the grinder pump station
- Available with or without fittings
- 1-1/4" or 2" Female NPT each end
- All valve assemblies designed and tested to 235 psi service pressure



The UNI-LATERAL is a one-piece valve that can be installed between any grinder pump and the sewer main.

**Prevent backflow from the sewer system
with E/One's UNI-LATERAL**

UNI-LATERAL SPECIFICATIONS

1-1/4" UNI-LATERAL

Dimensions

Approximate length: 8.6"

Approximate height: 4"

Available Adapter Fittings

- 1-1/4" compression type fittings for HDPE, SDR PIPE PER ASTM 3035 (SDRII)
PVC, SCHED 40, SDR21 & SDR26
- 1-1/2" compression type fittings for HDPE, SDR PIPE PER ASTM 3035 (SDRII, SDR9)
PVC, SCHED 40, SDR21 & SDR26
- 1-1/4" solvent weld (glue) type fittings for PVC, SCHED 40, SDR21 & SDR26



2" UNI-LATERAL

Dimensions

Approximate length: 10.7"

Approximate height: 5.1"

Available Adapter Fittings

- 1-1/2" compression type fittings for HDPE, SDR PIPE PER ASTM 3035 (SDRII, SDR9)
- 2" compression type fittings for HDPE, SDR PIPE PER ASTM 3035 (SDRII, SDR9, SDR7)

