

# Home Wastewater Disposal System

## General Applications

The size, efficiency and operating economy of the Home WasteWater Disposal System make it your best choice for indoor installations for single dwellings, waterfront property and subdivision developments. The Home WasteWater Disposal System is ideally suited for new communities.

designed for non-clog, trouble-free operation.

The grinder pump is automatically activated. It runs infrequently for very short periods. The annual energy consumption is typically that of a 40-watt light bulb. The unit is designed for indoor installation.

## Operational Information

### *Motor*

1 hp, 1725 rpm, high torque, capacitor start, thermally protected, 120/240V, 60 Hz, 1 phase.

### *Inlet Connections*

4-inch PVC socket weld.

### *Discharge Connections*

Pump discharge terminates in 1 1/4-inch NPT female thread. Can easily be adapted to 1 1/4-inch PVC pipe or any other material required by local codes.

### *Discharge\**

15 gpm at 0 psig

11 gpm at 40 psig

9 gpm at 60 psig

### *Overload Capacity*

The maximum pressure that the pump can generate is limited by the motor characteristics. The motor generates a pressure well below the rating of the piping and appurtenances. The automatic reset feature does not require manual operation following overload.

## General Features

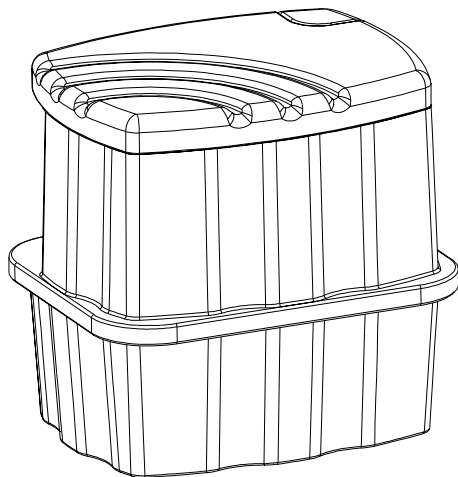
The System is a complete unit that includes: the grinder pump, check valve, inlet and discharge valves, HDPE (high density polyethylene) tank and controls. The System is packaged into a complete unit, ready for installation.

All solids are ground into fine particles, allowing them to pass easily through the pump, check valve and small diameter pipelines. Even objects that are not normally found in sewage, such as plastic, rubber, fiber, wood, etc. are ground into fine particles.

The 1 1/4-inch discharge connection is adaptable to any piping material, thereby allowing us to meet your local code requirements.

The tough, corrosion resistant tank is made of HDPE. The 91-gallon tank capacity is based on computer studies of water usage patterns and provides for additional storage.

The internal check valve assembly, located in the grinder pump, is custom



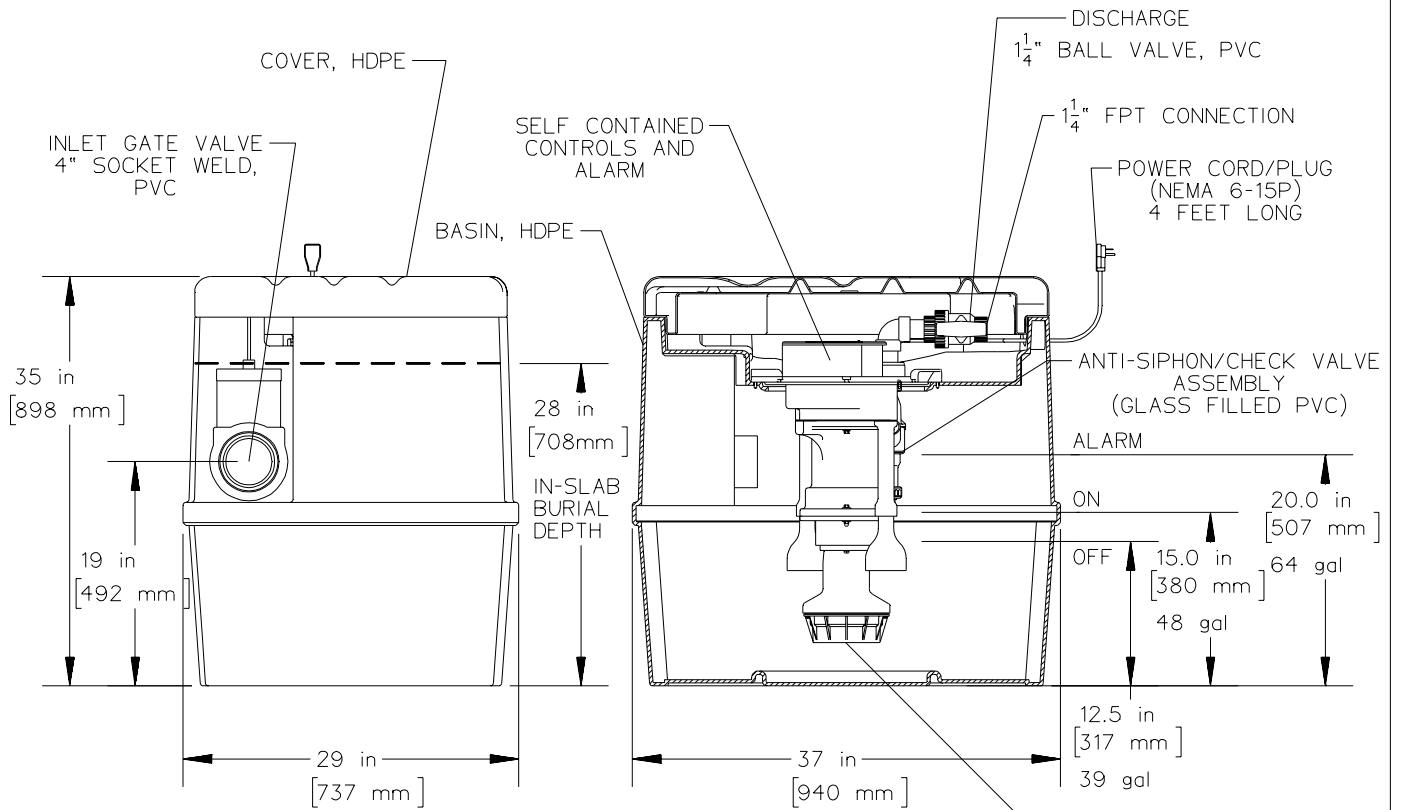
U.S. & foreign patents issued and pending.

\* Discharge data includes loss through check valve, which is minimal.

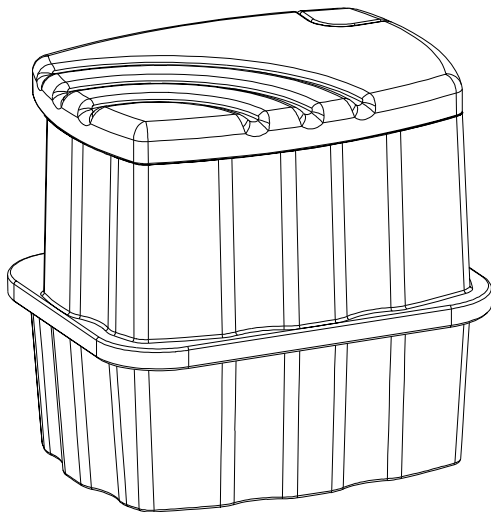
Printed in USA on recycled paper

LM000158 Rev. B, 1/02

# 2010-IDU



SEMI-POSITIVE DISPLACEMENT TYPE PUMP  
 DIRECTLY DRIVEN BY A 1 HP MOTOR  
 CAPABLE OF DELIVERING 9 gpm AT 138' T.D.H.  
 (34 lpm AT 42m T.D.H.)



BASIN CAPACITY = 91 GALLONS



SGS	CAH	8-15-01	B	1/16
DR BY	CHK'D	DATE	ISSUE	SCALE



2010-IDU, DETAIL SHEET

LM000159