

GP2016

NO BAFFLE

General Applications

The size, efficiency and operating economy of the GP 2016 make it an ideal choice for multiple dwellings, waterfront property, subdivision developments and marinas. The GP 2016 is ideally suited for both new and existing communities.

General Features

The GP 2016 Grinder Pump is a complete unit that includes: two grinder pumps with check valves, FRP (Fiberglass Reinforced Polyester) tank and controls. The GP 2016 is packaged into a single complete unit, ready for installation.

All solids are ground into fine particles, allowing them to pass easily through the pump, check valve and small-diameter pipelines. Even objects not normally found in sewage, such as plastic, rubber, fiber, wood, etc., are ground into fine particles.

The 1 1/4-inch discharge connection is adaptable to any piping materials, thereby allowing it to meet local code requirements.

The tank is made of tough corrosion-resistant fiberglass reinforced polyester. The optimum tank capacity of 500 gallons is based on computer studies of water usage patterns. A single GP 2016 is ideal for up to nine average, single-family homes, and can also be used for up to 24 average, single-family homes with the consent of the factory. This model can accommodate flows of 6000 GPD.

The internal check valve assembly, located in each grinder pump, is custom-designed for non-clog, trouble-free operation.

The grinder pump is automatically activated and runs infrequently for very short periods. The annual energy consumption is typically that of a 40-watt light bulb.

Units are available for indoor and outdoor installations. Outdoor units are designed to accommodate a wide range of burial depths.

Operational Information

Motor

1 hp, 1,725 rpm, high torque, capacitor start, thermally protected, 120/240V, 60 Hz, 1 phase

Inlet Connections

4-inch inlet grommet standard for DWV pipe. Other inlet configurations available from the factory.

Discharge Connections

Pump discharge terminates in 1 1/4-inch NPT female thread. Can easily be adapted to 1 1/4-inch PVC pipe or any other material required by local codes.

*Discharge**

15 gpm at 0 psig (per pump)

11 gpm at 40 psig (per pump)

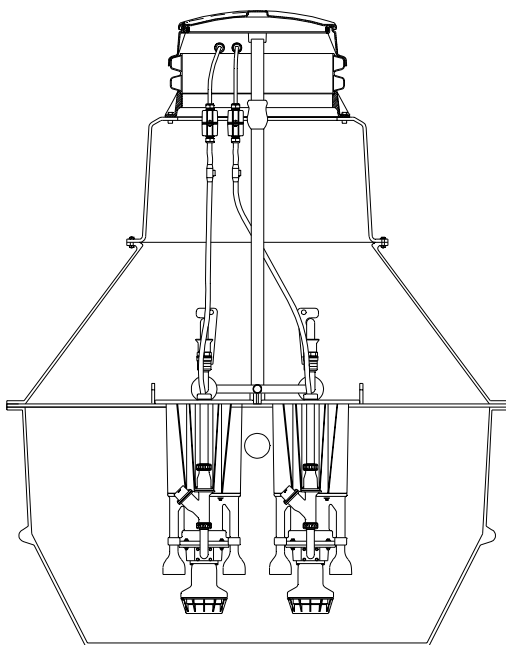
9 gpm at 60 psig (per pump)

Control Panel

This station is designed to use the Alternating Control Panel, MOD T260.

Overload Capacity

The maximum pressure that the pump can generate is limited by the motor characteristics. The motor generates a pressure well below the rating of the piping and appurtenances. The automatic reset feature does not require manual operation following overload.

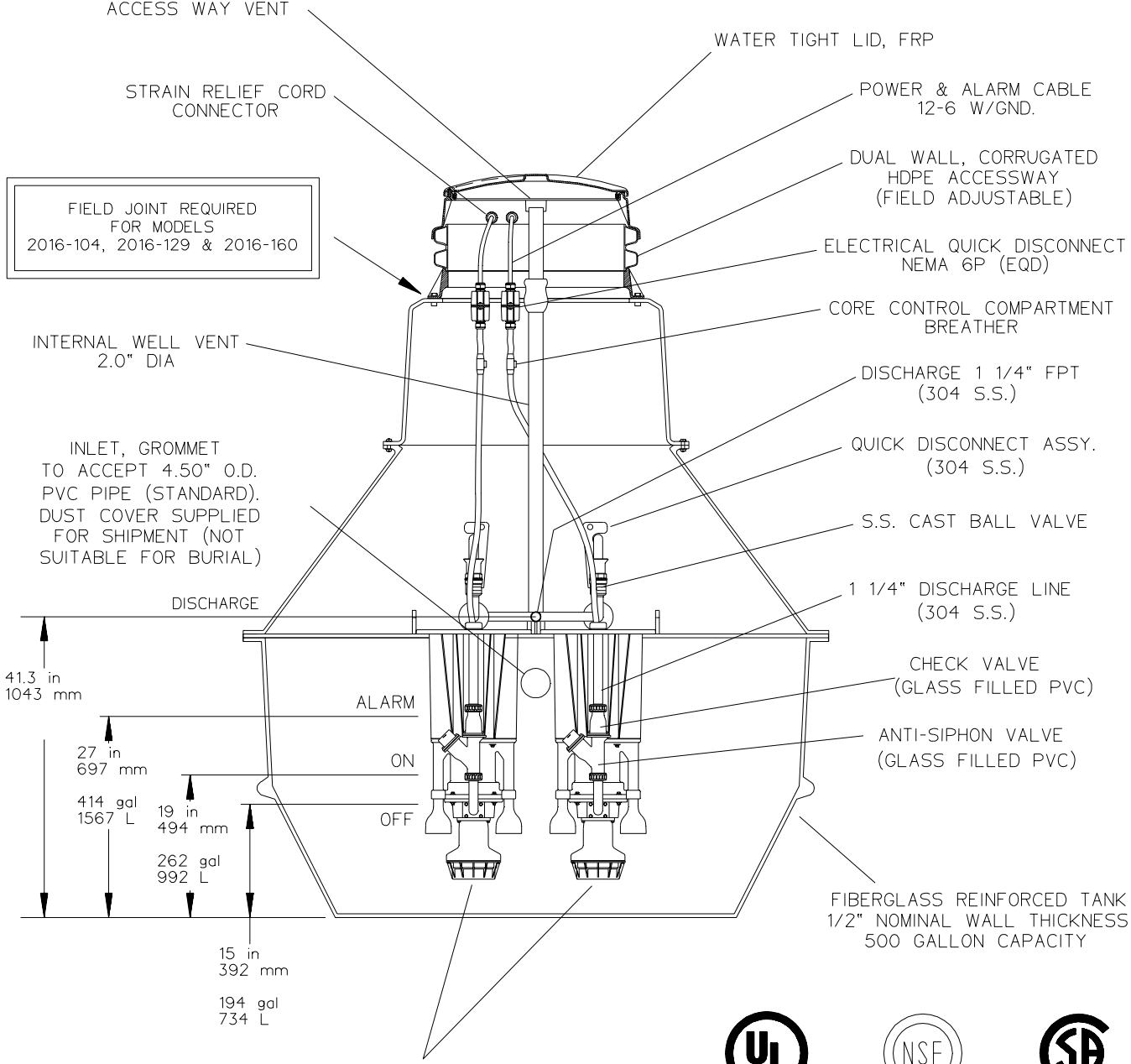


Patent Numbers: 5,752,315 5,562,254
5,439,180

* Discharge data includes loss through check valve, which is minimal.

PA1350P02 Rev. -, 3/03

2016 NO BAFFLE



FIELD JOINT REQUIRED FOR MODELS 2016-104, 2016-129 & 2016-160

41.3 in
1043 mm

27 in
697 mm

414 gal
1567 L

19 in
494 mm

262 gal
992 L

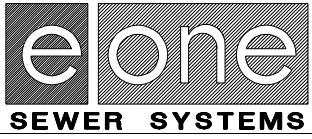
15 in
392 mm

194 gal
734 L

SEMI-POSITIVE DISPLACEMENT TYPE PUMP.
EACH DIRECTLY DRIVEN BY A 1 HP MOTOR
CAPABLE OF DELIVERING 9 gpm AT 138' T.D.H.
(34 lpm AT 42m T.D.H.)



SGS	CAH	3/26/03	-	3/64
DR BY	CHK'D	DATE	ISSUE	SCALE



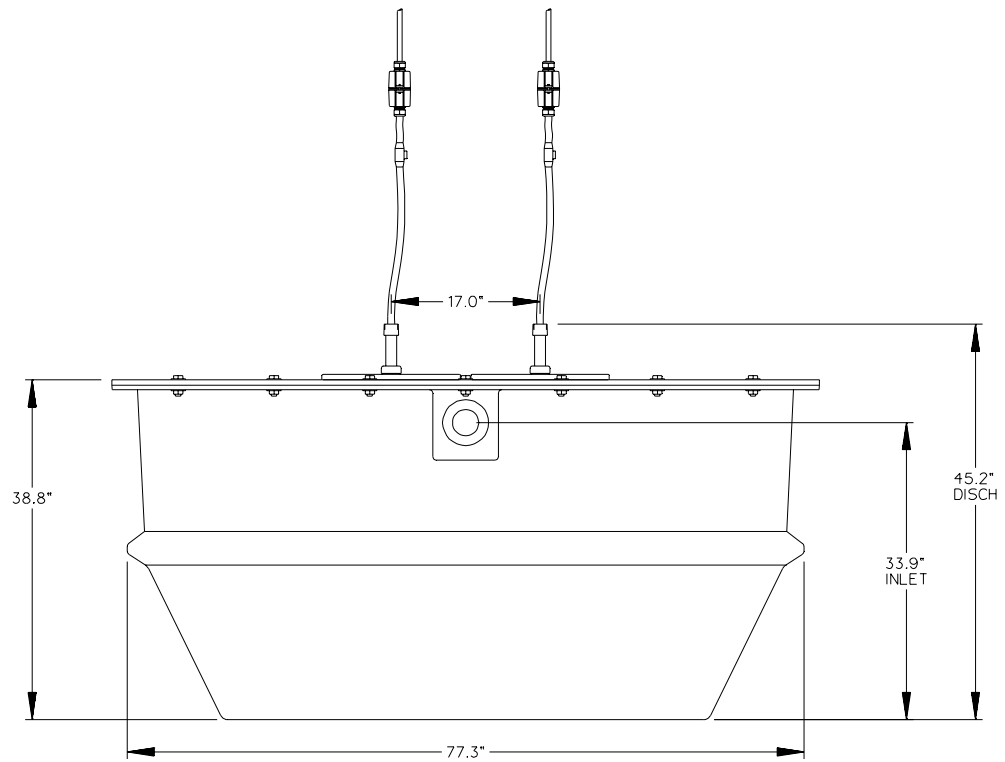
MODEL 2016, DETAIL SHEET, NO BAFFLE

PA0912P02

SEE INSTALLATION INSTRUCTIONS FOR BALLAST DETAILS

2016-39

INDOOR UNIT



DISCHARGE: 1-1/4 MALE
PIPE THREAD

INLET: EPDM GROMMET FOR
4" DWV PIPE (STANDARD)



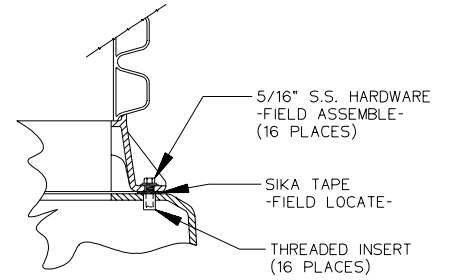
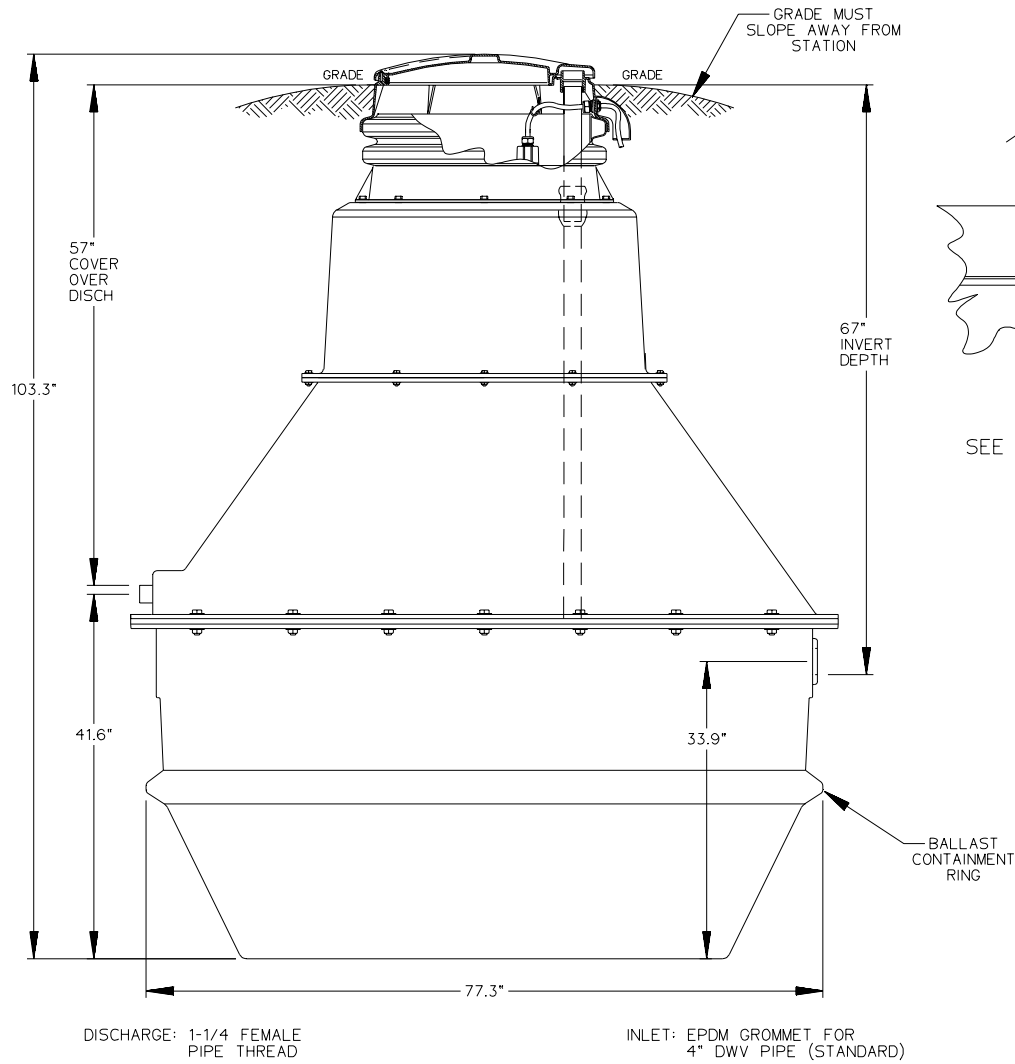
SGS	CAH	08/13/01	B	1/20
DR BY	CHK'D	DATE	ISSUE	SCALE



MODEL 2016-39

PA0905P05

2016 -104

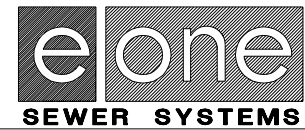


DETAIL, FIELD JOINT

SEE INSTALLATION INSTRUCTIONS FOR FURTHER DETAILS



SGS	CAH	08/13/01	B	1/20
DR BY	CHK'D	DATE	ISSUE	SCALE

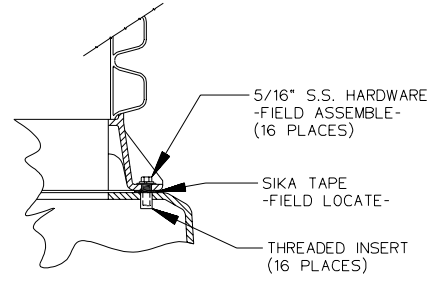
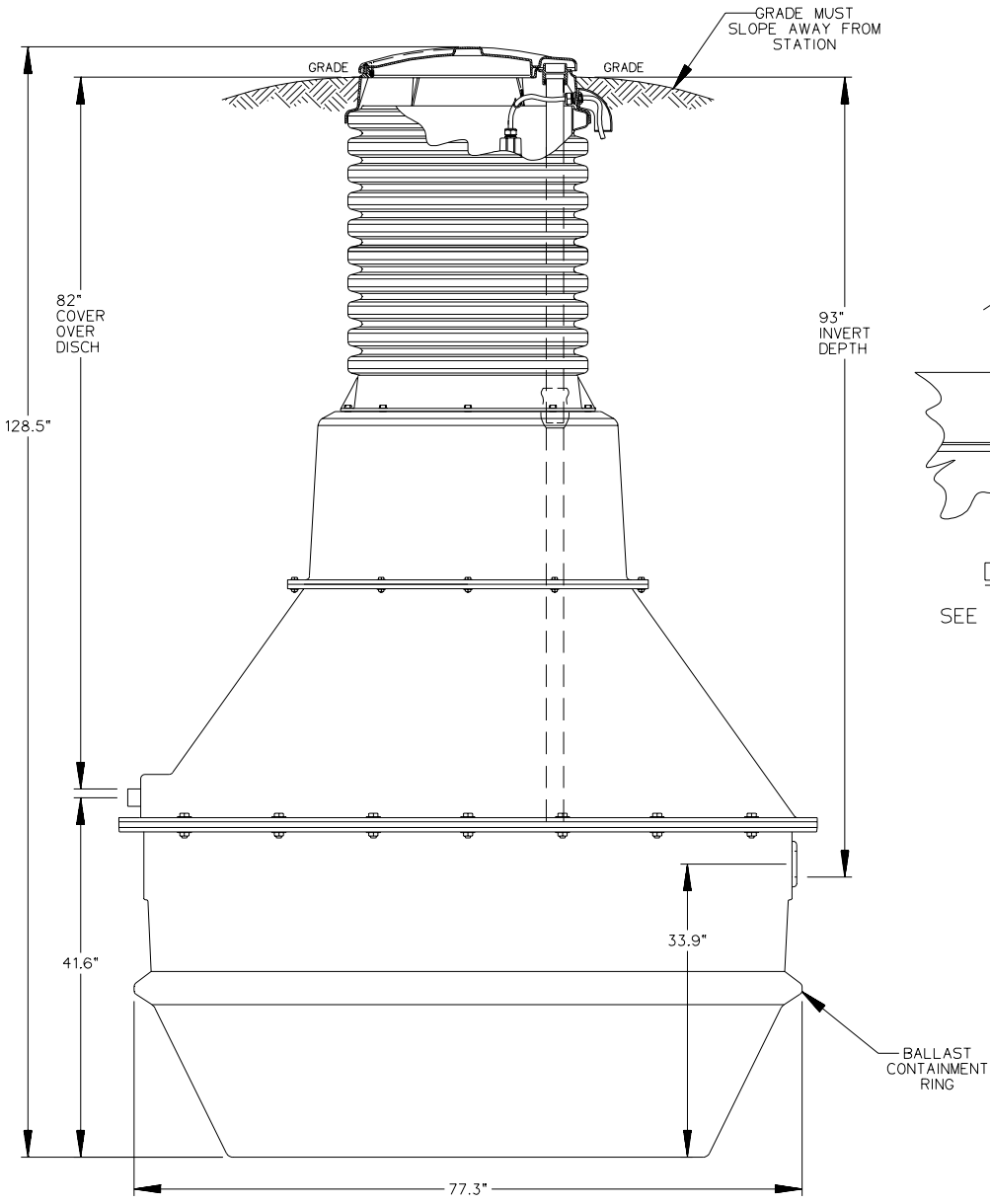


MODEL 2016-104

PA0905P02

SEE INSTALLATION INSTRUCTIONS FOR BALLAST DETAILS

2016-129



DETAIL, FIELD JOINT

SEE INSTALLATION INSTRUCTIONS FOR FURTHER DETAILS

DISCHARGE: 1-1/4 FEMALE PIPE THREAD

INLET: EPDM GROMMET FOR 4" DWV PIPE (STANDARD)



SGS	CAH	8/13/01	B	1/20
DR BY	CHK'D	DATE	ISSUE	SCALE

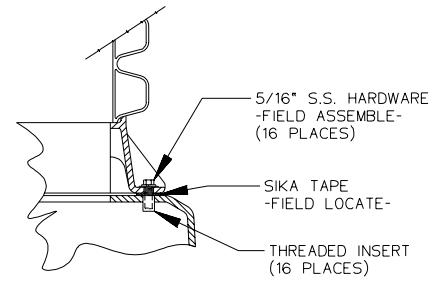
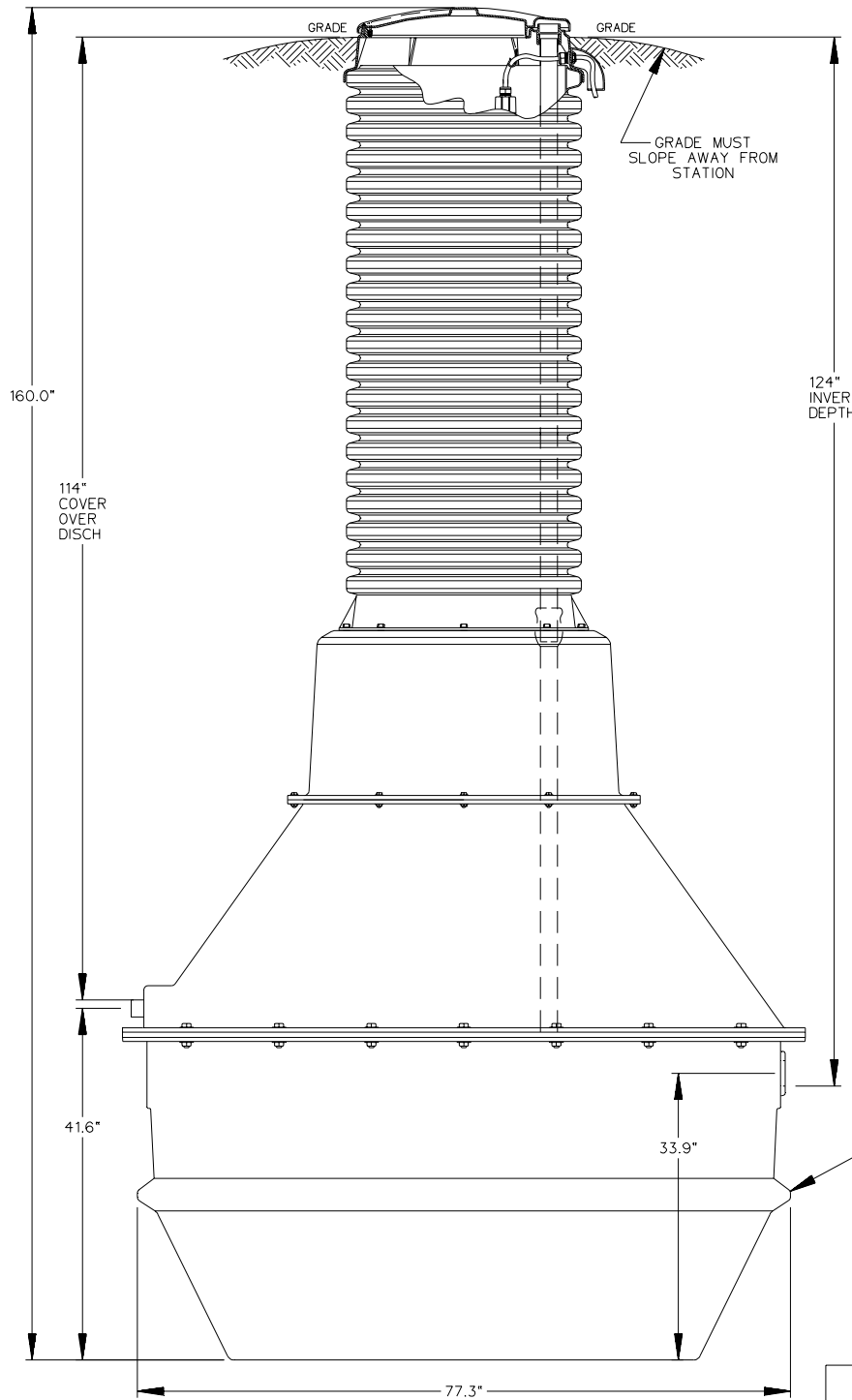


MODEL 2016-129

PA0905P03

SEE INSTALLATION INSTRUCTIONS FOR BALLAST DETAILS

2016-160



DETAIL, FIELD JOINT

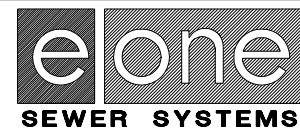
SEE INSTALLATION INSTRUCTIONS FOR FURTHER DETAILS

DISCHARGE: 1-1/4 FEMALE PIPE THREAD

INLET: EPDM GROMMET FOR 4\"/>



SGS	CAH	08/13/01	B	1/20
DR BY	CHK'D	DATE	ISSUE	SCALE



MODEL 2016-160

SEE INSTALLATION INSTRUCTIONS FOR BALLAST DETAILS

PA0905P04