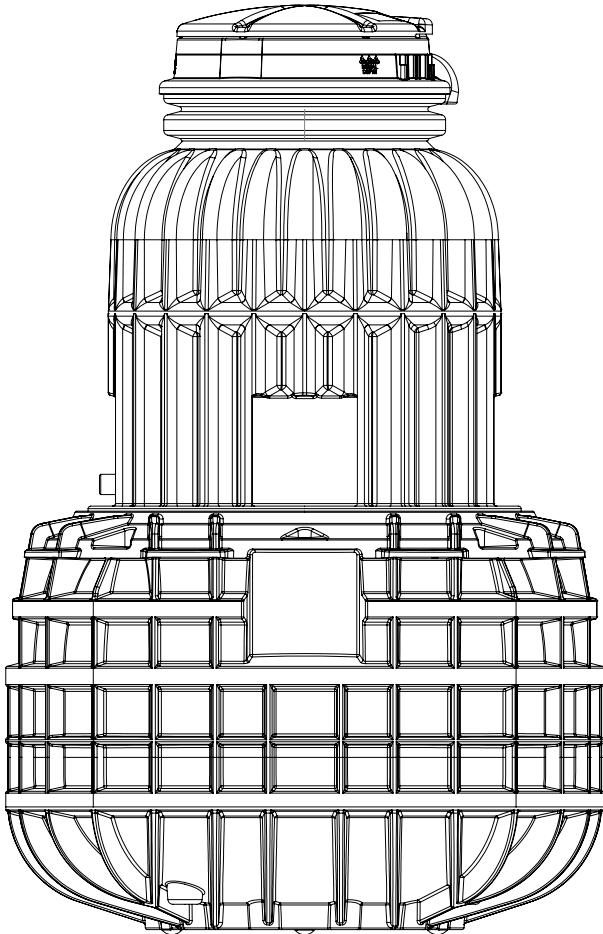


## Typical Installation Instructions & Warranty Information

**Duplex**  
Grinder Pump Stations  
350-Gal. Capacity






# Safety Instructions

Please read prior to the installation and operation of pump. The information provided is for SAFETY and to help PREVENT EQUIPMENT PROBLEMS.

To help you understand this information, refer to the symbols and definitions below:

 **WARNING** Indicates a hazard that can result in serious personal injury, death, or major property damage if ignored.

 **CAUTION** Indicates a hazard that can or will cause minor personal injury or property damage if ignored.



Biohazard can cause serious personal injury.



HOT! Severe burns could occur on contact.



Rotating machinery. Amputation or severe laceration can result.



Hazardous fluids can cause fire or explosions, burns or death could result.



Hazardous voltage can shock, burn, or cause death.



General warning that can result in personal injury or factors related to install, operation, or maintenance to equipment if ignored.

Only qualified personnel should install, operate, and repair pump. Any electrical work should be performed by a qualified electrician



**WARNING**

To reduce risk of electrical shock, pump and control panels must be properly grounded in accordance with the National Electric Code (NEC) and all applicable codes and ordinances.



**WARNING**

To reduce risk of electrical shock, always disconnect the pump from all power sources before handling or servicing. Follow lock out tagout procedures.



**CAUTION**

This station has more than one power supply connection point. To prevent electrical shock, disconnect all power sources before service.



**CAUTION**

Thermally protected automatic reset motor will restart without warning after protector trips. Always disconnect motor from power supply before servicing.

Regulatory agencies advise that certain materials should not be introduced into any sewer, please refer to the user instructions for a more detailed list of items.

In the event of power failure or blackouts, minimize water consumption within the home to prevent backup. Refer to user instructions, **Power Failure**, if service is interrupted.

Make certain that all discharge shutoff valves are fully open (curb stops, slider valve, etc.). Valves must not be closed when the pump is operating. Refer to **Test Procedures**.

Refer to user instructions, **Periods of Disuse**, if your home or building is left unoccupied for long periods of time.



**CAUTION**

Pump may build up heat and pressure during operation. Allow time for pump to cool prior to the start of handling or servicing.



**CAUTION**

**DO NOT** pump hazardous materials (flammable, caustic, etc.)



**DO NOT** wear loose clothing that may become entangled in the grinder cutter wheel or other moving parts.

Ensure that rope is securely fastened before lifting. Do not operate pump without safety devices in place and always replace safety devices that have been removed during service or repair.

Secure the pump in its upright position so it cannot tip over, fall, or slide.

Do not exceed manufacturers recommendation for maximum psi, as this could cause the pump to overheat.

Inspect cables and ensure they are protected to avoid punctures, cuts, bruises, and abrasions.



Never handle connected power cords with wet hands.

To reduce the risk of electric shock, all wiring and junction connections should be made per NEC and all applicable codes and ordinances.

To protect the health and safety of our employees, products returned must be cleaned, sanitized, or decontaminated as necessary prior to shipment.



Environment One is not responsible for losses, injury, or death resulting from a failure to observe these safety instructions, misuse or abuse of pump or equipment.



# Environment One Grinder Pump Feature Identification

1. **GRINDER PUMP BASIN** – Polyethylene
2. **ACCESSWAY COVER** – HDPE
3. **ELECTRICAL QUICK DISCONNECT (EQD)** – Cable from pump core terminates here.
4. **POWER AND ALARM CABLE** – Circuits to be installed in accordance with local codes.
5. **ALARM PANEL** – NEMA 4X enclosure. Equipped with circuit breakers. Locate according to local codes.
6. **ALARM DEVICE** – Every installation is to have an alarm device to alert the homeowner of a potential malfunction. Visual devices should be placed in very conspicuous locations.
7. **INLET** – EPDM grommet (4.5" ID). For 4.5" OD DWV pipe.
8. **WET WELL VENT** – 2.0" tank vent, supplied by factory in units with accessways.
9. **GRAVITY SERVICE LINE** – 4" DWV, (4.5" OD). Supplied by others.
- 9a. **STUB-OUT** – 4" X 5' Long **watertight** stub-out, to be installed at time of burial unless the gravity service line is connected during installation. Supplied by others.
10. **DISCHARGE VALVE** – 1-1/4" Female pipe thread.
11. **DISCHARGE LINE** – 1-1/4" Nominal pipe size. Supplied by others.
12. **CONCRETE ANCHOR** – See Ballast Calculations for specific weight for your station height. Supplied by others.
13. **BEDDING MATERIAL** – 6" minimum depth, round aggregate (gravel). Supplied by others.
14. **FINISHED GRADE** – Grade line to be 1 to 4 inches below removable lid and slope away from the station.
15. **VENT** – Indoor installation. See section 6, Venting, on page 7.
16. **CONDUIT** – 1" or 1-1/4", material and burial depth as required per national and local codes. Conduit must enter panel from bottom and be sealed per NEC section 300.5 & 300.7. Supplied by others.
17. **REBAR Hooks** – Required to lift tank after ballast (concrete anchor) has been attached, 4 places, evenly spaced around tank.

Figure 1a

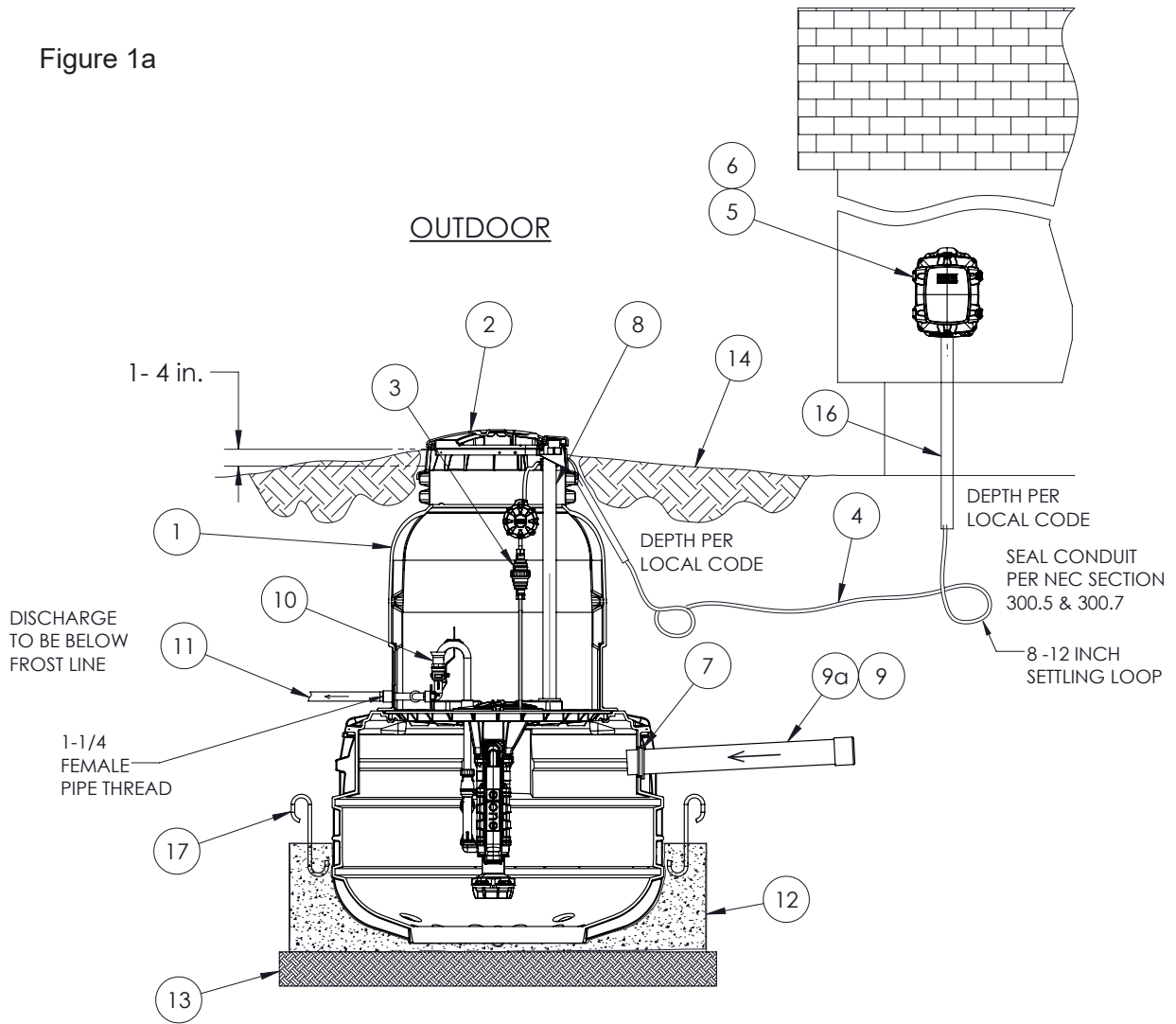
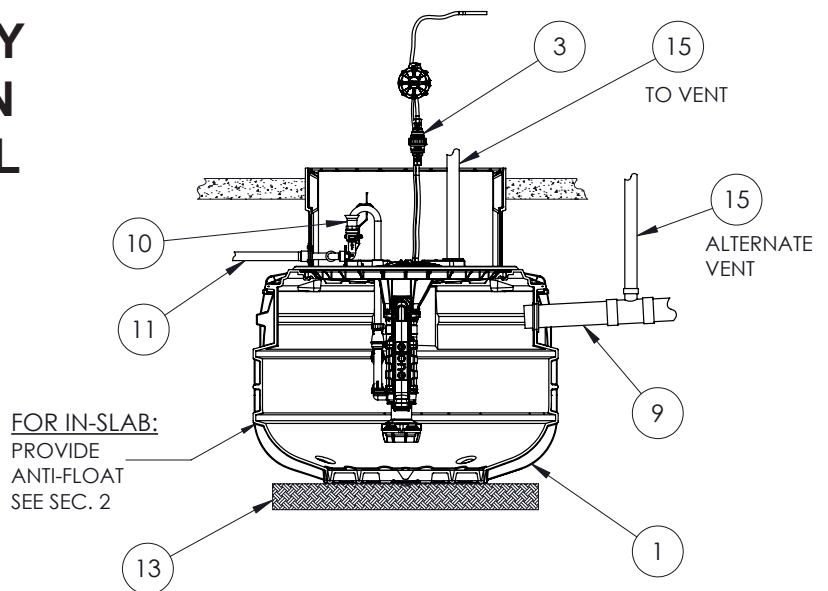


Figure 1b

INDOOR - BUILDERS MOD

**FAILURE TO COMPLY  
WITH INSTALLATION  
INSTRUCTIONS WILL  
VOID WARRANTY**



The Environment One grinder pump is a well-engineered, reliable and proven product; proper installation will assure years of trouble-free service. The following instructions define the recommended procedure for installing the grinder pump station. These instructions cover the installation of units with and without accessways.

This is a sewage handling pump and must be vented in accordance with local plumbing codes. This pump is not to be installed in locations classified as hazardous in accordance with National Electric Code, ANSI / NFPA 70. All piping and electrical systems must be in compliance with applicable local and state codes.

### 1. REMOVE PACKING

**MATERIAL:** The User Instructions must be given to the homeowner. Hardware supplied with the unit, if any, will be used at installation.

### 2. TANK INSTALLATION:

The tank must be installed level for proper operation.

Lift the station using only the methods described on page 11, Lifting Instructions. The tank is supplied with a standard grommet for connecting the 4" DWV (4.50" outside dia.) incoming sewer drain. Other inlet types and sizes are optional (Caution: 4" DR-35 pipe has a smaller diameter and won't create a watertight joint with the standard grommet). Please confirm that you have the correct inlet before continuing. If a concrete ballast is attached to the tank, lift only by the lifting eyes (rebar) embedded in the concrete. **Do not drop, roll, or lay tank on its side. This will**

**damage the unit and void the warranty.**

• **If the tank has no accessway (Fig. 1b): (Indoor Installation):** The pump may be installed on or in the basement floor. If the tank is to be set on the floor, it must be a flat and level bearing surface.

• **If the tank is to go in the floor:** A hole of the correct width and depth should be excavated. The tank must be placed on a 6" bed of gravel made up of naturally rounded aggregate, clean and free flowing, with particle size not less than 1/8" or more than 3/4" in diameter. The wetwell should be leveled and filled with water prior to pouring the concrete to prevent the tank from shifting. If it is necessary to pour the concrete to a level above the inlet, the inlet must be sleeved with an 8" tube before pouring.

If the tank is to go into the basement floor, it must be anchored to prevent unit from floating due to high ground water.

There must be a minimum clearance of three feet directly above the tank to allow for removal of the pump.

• **If the tank has an accessway (Fig. 1a):** Excavate a hole to a depth, so that the removable cover extends above the finished grade line. The grade should slope away from the unit. The diameter of the hole must be large enough to allow for a concrete anchor. Place the unit on a bed of gravel, naturally rounded aggregate, clean and free flowing, with particles not less than 1/8" or more than 3/4" in diameter. The concrete anchor is not optional. (See Chart 1 on page 13 for specific

requirements for your unit.)

The unit should be leveled and the wetwell filled with water to the bottom of the inlet to help prevent the unit from shifting while the concrete is being poured. The concrete must be vibrated to ensure there are no voids.

If it is necessary to pour the concrete to a higher level than the inlet, the inlet must be sleeved with an 8" tube before pouring.

If your unit is a model taller than 93" it may be shipped in two sections, requiring field assembly. See Field Joint Assembly Instructions on page 10 for additional information.

### 3. INLET PIPE

**INSTALLATION:** Mark the inlet pipe 3-1/2" from the end to be inserted. Inlet pipe should be chamfered and lubricated with a soap solution. Lubricate the inlet grommet with soap solution as well. Insert the pipe into the grommet up to the 3-1/2" mark. Inspect to ensure the grommet has remained intact and in place.

**4. DISCHARGE:** The use of 1-1/4" PVC pressure pipe Schedule 40 and polyethylene pipe SDR 11 or SIDR 7 are recommended. If polyethylene is chosen, use compression type fittings to provide a smooth inner passage. E/One requires that an E/One Uni-Lateral assembly (E/One part number NB0184PXX or NC0193GXX) or E/One Redundant Check Valve (E/One part number PC0051GXX) be installed in the pipe lateral outside the home between the pump discharge and the street main on all installations. Never use a ball-type valve as a check

valve. E/One recommends the valve be installed as close to the public right-of-way as possible. Check local codes for applicable requirements.

**CAUTION:** *Redundant check valves on station laterals and anti-siphon/check valve assemblies on grinder pump cores should not be used as system isolation valves during line tests.*

• **If the tank has no accessway: (Indoor Installation)** There is a ball valve and a quick disconnect pre-installed in the tank. The discharge connection is a 1-1/4" male NPT.

• **If the tank has an accessway:** There is a ball valve and a quick disconnect pre-installed in the accessway. There is a 1-1/4" female NPT discharge connection on the outside of the tank 44" above

the bottom of the tank.

## 5. BACKFILL

**REQUIREMENTS:** Proper backfill is essential to the long term reliability of any underground structure. Several methods of backfill are available to produce favorable results with different native soil conditions.

The recommended method of backfilling is to surround the unit to grade using Class I or Class II backfill material as defined in ASTM 2321. Class I, angular crushed stone, offers an added benefit in that it needs minimal compaction. Class II, naturally rounded stone, may require more compactive effort, or tamping, to achieve the proper density.

If the native soil condition consists of clean, compactible soil with less than 12% fines, free of ice, rocks, roots, and

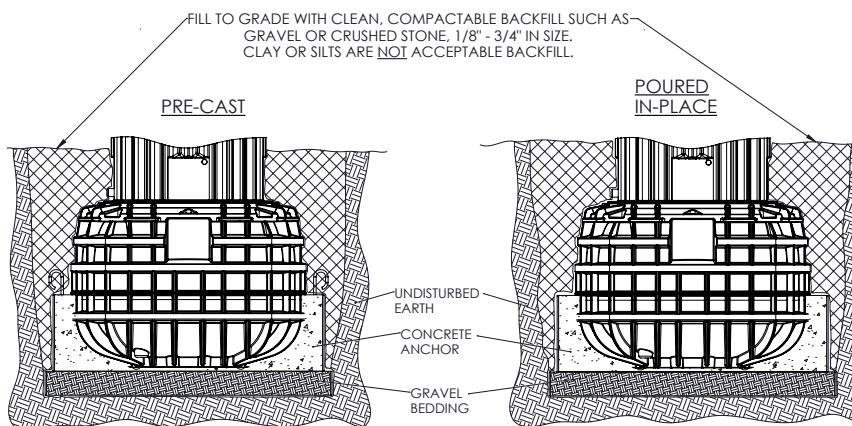
organic material, it may be an acceptable backfill. Such soil must be compacted in lifts not to exceed one foot to reach a final Proctor Density between 85% and 90%. Non-compactible clays and silts are **not** suitable backfill for this or any underground structure such as inlet or discharge lines. If you are unsure of the consistency of the native soil, it is recommended that a geotechnical evaluation of the material be obtained before specifying backfill.

Another option is the use of a flowable fill (i.e., low slump concrete). This is particularly attractive when installing grinder pump stations in augured holes where tight clearances make it difficult to assure proper backfilling and compaction with dry materials. Flowable fills should not be dropped with more than 4 feet between the discharge nozzle and the bottom of the hole because this can cause separation of the constituent materials.

**6. VENTING:** The unit must be properly vented to assure correct operation of the pump. If you have an indoor unit, it can be vented through the 2" port supplied at the top of the wetwell or through the incoming sewer line with a 2" pipe (the vent must be within 4 feet of the grinder pump, and before the first change of direction fitting).

The outdoor units are supplied with a vent pipe from the wetwell to the top of the accessway. Failure to *properly vent* the tank will result in faulty operation and will void the warranty.

Figure 2



## TYPICAL IN-GROUND SECTION VIEW

## 7. ELECTRICAL

### CONNECTION: (Supply panel to E/One Alarm Panel)

Before proceeding, verify that the service voltage is the same as the motor voltage shown on the name plate. An alarm device is to be installed in a conspicuous location where it can be readily seen by the homeowner. An alarm device is required on every installation. There shall be no exceptions.

Wiring of supply panel and alarm panel shall be per alarm panel wiring diagrams included inside the Alarm Panel enclosure and in accordance with local codes. A dedicated 30 amp breaker is required before a 240V duplex alarm panel, and a dedicated 40 amp breaker is required before a 120V duplex alarm panel.

## 8. ELECTRICAL

### CONNECTION: (Pump to Panel) (Fig.3)

The grinder pump station is provided with a cable for connection between the station and the alarm panel (supply cable). The supply cable is shipped inside the station with a small portion fed through the cable connector mounted on the wall of the HDPE shroud. The supply cable, a six conductor tray cable, meets NEC requirements for direct burial as long as a minimum of 24" burial depth is maintained. Those portions of the cable which have less than 24" of cover must be contained in suitable conduit. This includes the vertical portion dropping to a 24" depth at the station and the length rising out of the ground at the control panel.

*NOTE: Wiring must be installed per national and local codes.*

*Conduit must enter panel from*

*bottom and be sealed per NEC section 300.5 & 300.7.*

### 8a. Installing E/One supply cable:

1) Open the lid of the station. Locate the cable and the feed-thru connector on the wall of the shroud. If the station has a field joint and was delivered in two pieces, be sure both halves of the EQD are securely assembled together. Loosen the nut on the connector and pull the supply cable out through the connector until it hits the crimped-on stop feature on the cable, approximately 24" from the EQD. **\*\*IMPORTANT:** *All but 24" of the cable must be pulled out of the station, and the EQD and Equalizer should be hung as high in the station as possible to ensure that the pump functions properly. Do not leave the excess cable in the station.*

2) Retighten the nut. This connection must be tight or ground water will enter the

station.

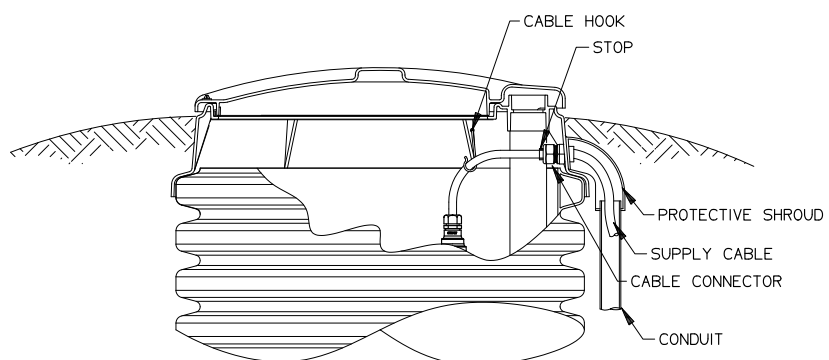
3) Feed the wire through the length of conduit (contractor provided), which will protect it until it is below the 24" burial depth.

4) Position the conduit vertically below the cable connector along side of the station reaching down into the burial depth. Attach the small guard (protective shroud) provided with the station to protect the exposed cable where it enters the station. Use the self-tapping screw provided to secure the shroud in place.

5) Run the cable underground, in a trench or tunnel, to the location of the alarm panel. Leave a 6- to 12-inch loop of cable at each end to allow for shifting and settling. Connections made at the panel are shown in alarm panel wiring diagrams included inside the Alarm Panel enclosure.

**9. DEBRIS REMOVAL:** Prior to start-up test procedure, the

Figure 3



Power at the station must not drop below 10% of nameplate voltage. Maximum Recommended Length:  
120 Volt 60' (min. voltage at pump — 108V)  
240 Volt 150' (min. voltage at pump — 216V)  
Consult factory for longer lengths

## TYPICAL SUPPLY CABLE CONFIGURATION

core must be removed and the incoming sewer line flushed to force all miscellaneous debris into the tank. Next, all liquid and debris must be removed. Once tank is clean, reinstall the pump and proceed with the test.

#### **10. TEST PROCEDURE:**

This unit has more than one power supply. Identify and isolate/disconnect all power supplies before troubleshooting and/or performing service work. When the system is complete and ready for use, the following steps should be taken for each grinder pump in the station to verify proper pump and high-level alarm operation.

a) Make certain that all discharge shutoff valves are fully open (curb stops, slider valve, etc.). Valves must not be closed when the pump is operating.

b) Turn off the power at main power supply and panel(s). (Ignore all Trouble indications, LEDs and/or messages until the panel is reset at the end of this procedure.) Use an ohmmeter set at the 2-meg scale. Check the continuity between the following leads from the pump (tests should be performed with the pump and alarm breakers inside the panel OFF):

- Green/yellow (ground) to red (L1)
- Green/yellow (ground) to black (L2 or neutral)
- Green/yellow (ground) to brown (manual run)
- Brown (manual run) to yellow (alarm power feed)
- Brown (manual run) to blue (alarm power return)

All of these tests must read an open circuit. A short at any of these test points will cause

premature pump failure if not corrected.

c) Turn on power at main power supply only.

d) Check voltage from the main power supply. The voltage must be within 10% of the nameplate voltage (i.e. 240=216 to 264 and 120=108 to 132). Note the voltage.

e) Verify the panel wiring matches the wiring diagram located in the alarm panel enclosure. Then turn on the alarm power circuit breaker. Leave pump breaker(s) off.

f) Fill the tank with water until the alarm turns on. This should occur when the water level reaches the top of the pump approximately. Then turn off the water.

g) Turn on the pump power circuit breaker. (Note: If this is a multiplex station, the pumps should be energized one at a time so amperage can be recorded individually). The pump should turn on within a few seconds.

h) Take a current (amperage) reading off the black lead (L2 or neutral) to the pump. Note the amperage. Repeat Step "g" and Step "h" for additional pumps at this station. Ensure that only the pump being tested has its associated breaker energized. The reading(s) should be as follows

- Between 5 and 8 amps for 240VAC/60Hz service
- Between 10 and 16 amps for 120VAC/60Hz service
- For the acceptable current range of other service power types, reference the appropriate service manual. To view technical documentation, including service manuals visit [eone.com/technician](http://eone.com/technician).

Higher amperage readings

equal a higher discharge pressure. If the amperage is greater than the listed maximum check the discharge line for a blockage.

The alarm should turn off after a few minutes. Following that, it should be a few additional minutes before the pump turns off.

i) Clear/Reset the alarm panel(s):

- Sentry panels: Reset is not required.
- Protect Panel: Turn pump and alarm breakers off and back on simultaneously.
- Protect Plus Panels: Perform a "cold start" from the Initialize System menu. Any user settings that were previously chosen will not be reset.

If any Trouble or alarm conditions are indicated after the panel is reset, contact your local service provider.

j) Close and lock the alarm panel(s).

k) Inspect the lid gasket and fasten lid to tank.

Call your local E/One distributor if you experience any problems. Please have ready the unit serial number, voltage, amperage read during startup, type of application, and a description of the problem.

# Field Joint Assembly Instructions

IT IS EXTREMELY IMPORTANT THAT THE JOINT IS SEALED PROPERLY BEFORE BACKFILLING. EXCAVATING A UNIT FOR REPAIR IS VERY EXPENSIVE AND CAN BE EASILY AVOIDED BY USING PROPER CAUTION DURING THE FOLLOWING PROCEDURE.

Parts included in Field Joint Kit:  
Identify all parts before proceeding with installation.

- (16) 3/8-16 x 1-1/2 long screws
- (16) 3/8-16 Elastic Stop Nuts
- (32) Flat Washers
- (1) Length Sealant (Sika) Tape
- (1) Hole Punch
- (1) Vent Pipe Extension

1) Carefully clean and dry both accessway flanges with solvent. **IMPORTANT: Sealing surfaces must be dry to ensure the sealant adheres correctly.**

2) Starting at one hole of tank flange, apply two layers of Sika Tape around the inside half of the flange. Align the outside edge of the tape with the bolt circle. Move to the adjacent hole and apply one layer of Sika Tape around the outside of the flange. Align inside of tape with the bolt circle. Remove the backing paper as you lay the adhesive on the flange. **Do not stretch Sika tape during application; it may result in a leak.** The tape should overlap at the end by approximately 1/2 inch, as shown in Fig. 4a. If a section of Sika Tape is misapplied, the bad section may be cut out and replaced. Cut away the poorly laid portion cleanly with a knife and be sure to overlap the tape at each end about 1/2 inch.

3) Using the tool provided, punch a hole through the tape at each of the 16 existing bolt holes in the flange. **Be careful to keep the exposed sealant clean and dry.**

4) Insert three of the sixteen 3/8-16 x 1-1/2" long bolts, with a flat washer, into the flange attached to the upper part of the accessway. These will act as guides while

aligning the bolt pattern of the two flanges.

5) Support the upper accessway section a few inches over the tank, making sure to align the vent port in the lid with the vent pipe in the tank. Once aligned, lower the upper section onto the mating flange using the three bolts to guide it to the proper position. See Fig. 4b.

6) Insert the remaining 13 bolts with flat washers into the flanges. Place a flat washer and elastic stop nut on the end of each bolt, turning the nut on just enough to hold the washer in place.

7) Tighten the bolts until the sealant begins to squeeze out from between the flanges. To ensure a consistent, sturdy seal, tighten them in the following sequence: 1, 9; 5, 13; 3, 11; 7, 15; 2, 10; 4, 12; 6, 14; 8, 16. Always be sure to tighten one bolt and then the bolt at the position 180° from it; see Fig. 4a for position numbers.

8) Using the same sequence as in Step 7, tighten each bolt to 60 in-lbs. Visually inspect the joint, each bolt and each nut should have a flat washer between it and the flange, and a uniform amount of sealant should be protruding from the seam along the entire perimeter.

**In the event that there are any voids in the sealant, the joint may leak. Take corrective actions if necessary and be sure that the joint is leak free before continuing.**

9) In order to properly vent the station, apply PVC primer/cement (not provided) and assemble the included sections of vent pipe by using the provided 2" PVC couplings. After the pipe sections have been assembled, ensure that the bottom end of the pipe is secured in the lower vent grommet, then slide the top end of the pipe through the receptacle on the bottom of the lid.

Figure 4a

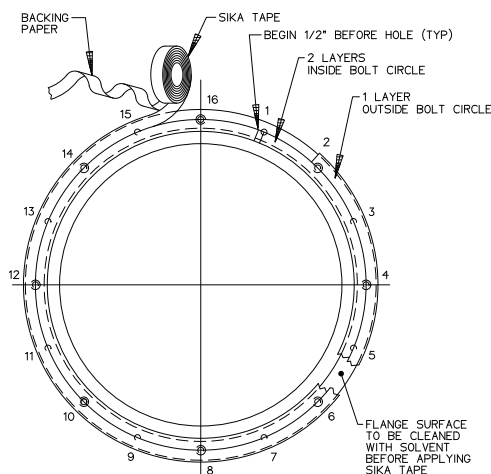
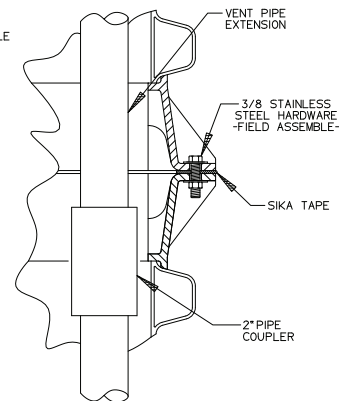


Figure 4b



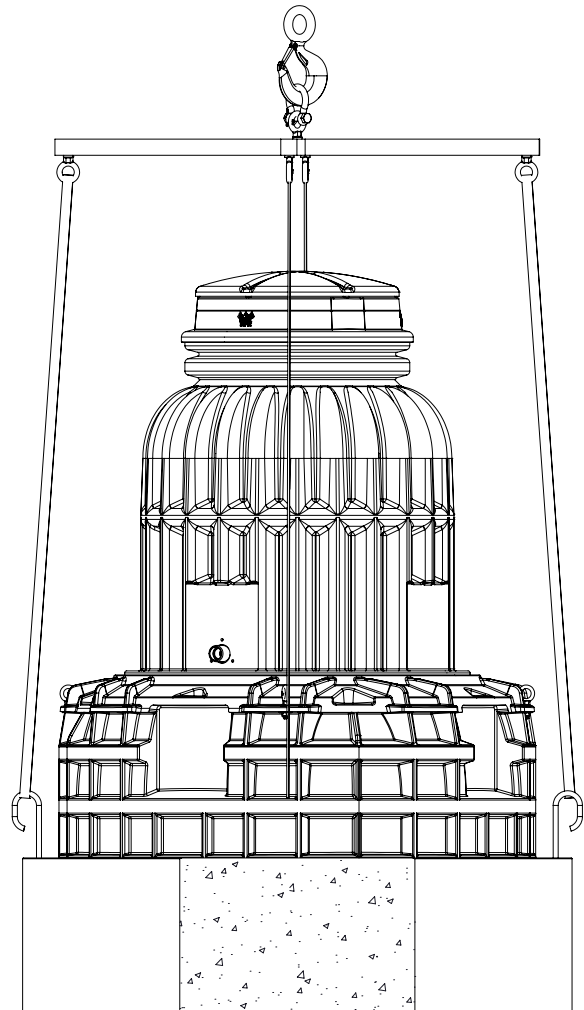
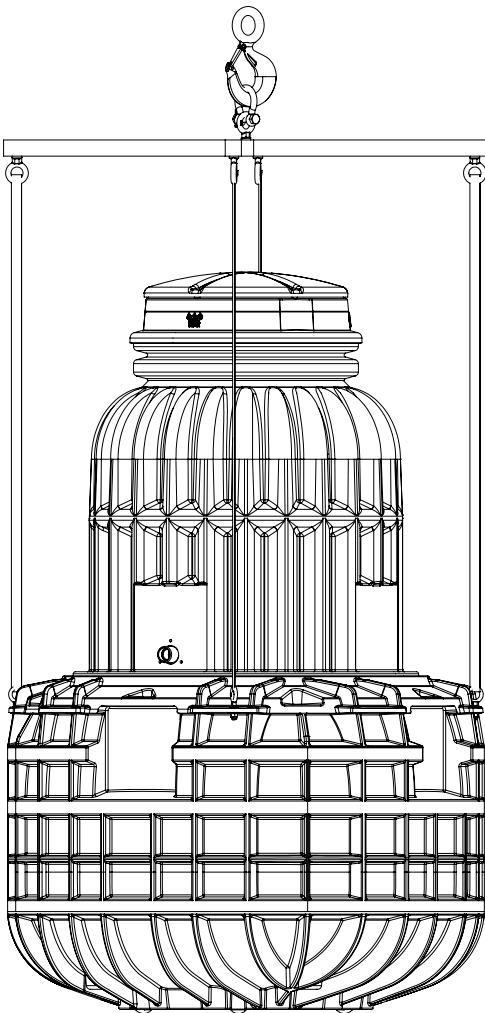
# Lifting Instructions

FAILURE TO FOLLOW THESE INSTRUCTIONS COMPLETELY WILL VOID WARRANTY.

\* Transporting unit to installation site: **Always lift a unit from the bottom for the purpose of transportation. The station should be received attached to a pallet for this purpose.** Never roll a station or move it on its side.

1. No Ballast, Factory- Installed Eye Bolts (Ballast to be poured in place): If the concrete anchor is to be poured while the station is in place lift the unit by securing straps to the eyebolts supplied on the lower flange, as shown below. Keep station oriented vertically to avoid any damage. Only lift from the eyebolts to put unit in hole, not for moving any distance. (see below)

2. Precast Ballast: Never lift a station that has a ballast attached by any means except the rebar hooks. The weight of the concrete will damage the station if you attempt to lift it from any part of the station. (see below)



# E/One Grinder Pump Station Ballast Calculations

Any buried vessel that is submerged, or partially submerged, in water will be acted on by an upward buoyant force that attempts to return the vessel to a non-submerged state. The magnitude of this buoyant force is equal to the volume of the vessel that is submerged multiplied by the density of water. On most in-ground installations a ballast, or concrete anchor, of proper volume and weight is required to resist the buoyant force. The amount of ballast required for a given set of installation site conditions may be calculated as follows.

## Installation Site Assumptions

1. High water table – under worst case conditions, the E/One grinder pump station will be subjected to ground water up to the ground burial mark (i.e. the ground water level is assumed to be at the finished-grade level).
2. Backfill materials are per these installation instructions.
3. The consulting engineer should perform a soil test to determine if the assumptions that have been made are valid. ***If the site conditions differ from these assumptions, then the consulting engineer must revise the calculations as shown in this document.***

## Physical Constants

1. Density of Water = 62.4 lb/cu ft
2. Density of Concrete = 150 lb/cu ft (in air)
3. Density of Concrete = 87.6 lb/cu ft (in water)
4. Density of Dry Compacted Backfill = 130 lb/cu ft
5. Density of Saturated Backfill = 67.6 lb/cu ft

## Procedure

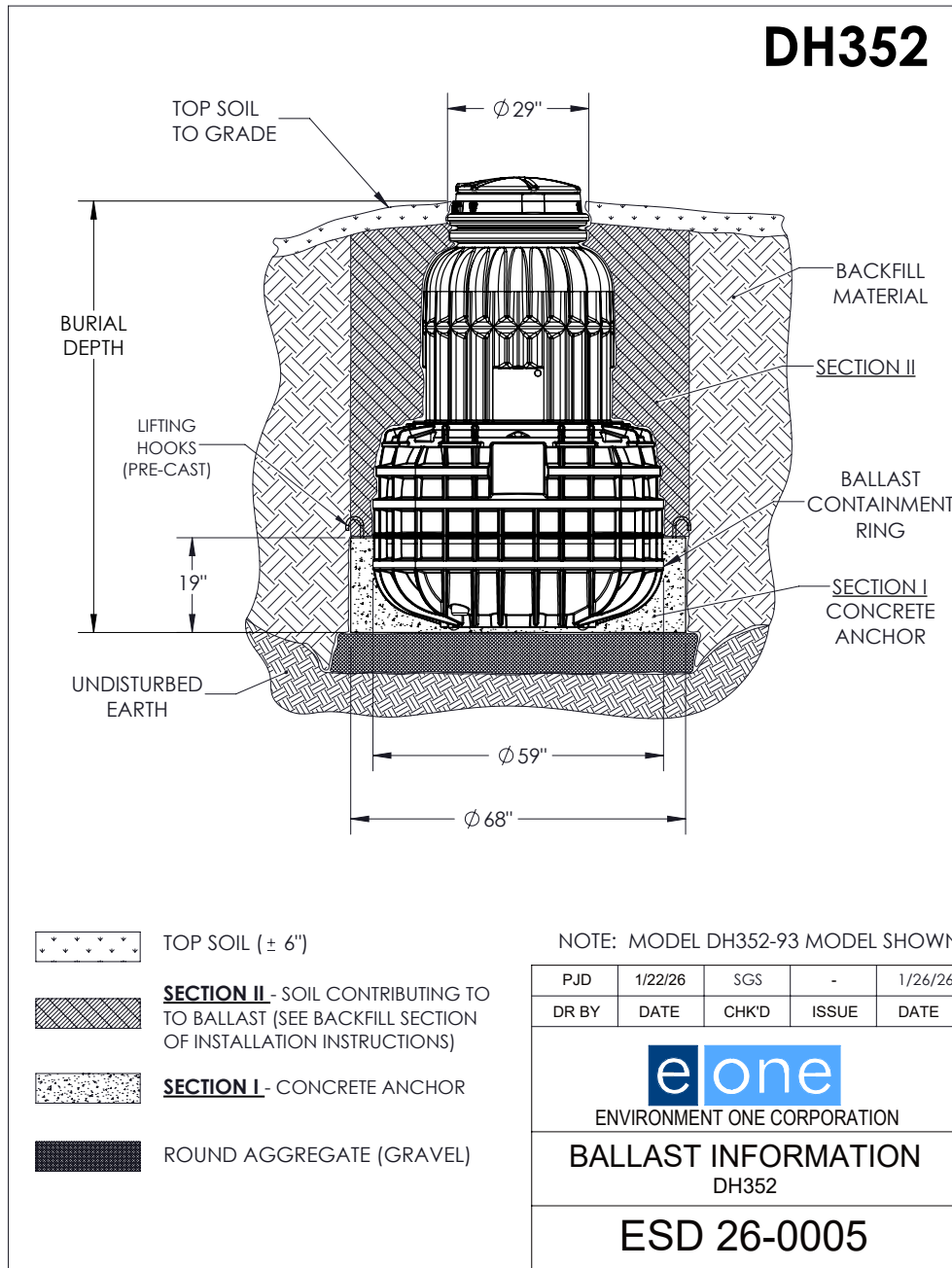
- A. Determine the buoyant force exerted on the station. (Reference Chart 1)
  1. Determine the buoyant force that acts on the grinder pump station when the tank is submerged in water.
  2. Subtract the weight of the tank from the buoyant force due to the submerged tank to determine the net buoyant force acting on the station.
- B. Determine the ballast force exerted on the station.
  1. Determine the ballast force applied to the station from the concrete anchor (as applicable) and the saturated soil contributing to the ballast.
- C. Compare the ballast force and the net buoyant force.
  1. The ballast force must be greater than the net buoyant force in order to prevent flotation.
  2. Note – if the installation site conditions are different from those listed above, the consulting engineer should recalculate the concrete ballast.

# E/One Grinder Pump Station Ballast Calculations

Chart 1

Station Height	Tank Buried Height (ft)	Tank External Volume (cu ft)	Tank Buoyant Force (lb)	Tank Weight Empty (lb)	"Net" Buoyant Force (lb)	Minimum Concrete Dimensions [dia x height] (in)	Minimum Concrete Volume (cu ft)	Submerged Concrete Ballast Weight (lb)	Saturated Soil Ballast Weight (lb)	Total Ballast Weight (lb) **
DH352-93	7.2	77.2	4,817	426	4,391	68 x 19	19.1	1,673	5,861	7,534
DH352-129	10.4	89.8	5,604	463	5,140	68 x 19	19.1	1,673	10,432	12,105
DH352-160	13.0	100.1	6,246	488	5,758	68 x 19	19.1	1,673	14,196	15,869

\*\* Total ballast weight must be greater than the "net" buoyant force listed for the specific model.



# Adjusting the Height of the Grinder Pump Station

## TO INCREASE STATION HEIGHT 6 INCHES

1. Increasing station height can be done without cutting the station. Use the E/One Extender cover shroud kit (ND0082G01) and follow the instructions that are included with the kit.

## TO INCREASE STATION HEIGHT MORE THAN 6 INCHES or TO REDUCE THE STATION HEIGHT:

### REMOVE EXISTING COVER ASSEMBLY (Fig. 5)

If your existing station has a welded-on cover shroud you will need the appropriate replacement cover kit (see Table 2, page 15).

1. Turn off all power to the grinder pump station.  
 2. Remove the tank lid and the electrical shroud.  
 3. Unplug the electrical quick disconnect (EQD) and remove the EQD from the supply cable. *Note: DO NOT CUT CABLE.* Loosen liquid tight cable connector and pull the supply cable out through the connector on the side of tank.

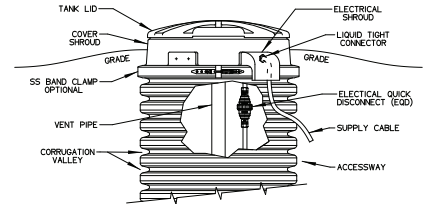


Figure 5

4. Tape the pump breather cable to the vent pipe in the tank.  
 5. Remove the soil around the tank, exposing three of the tank corrugations below grade. Use caution not to damage buried cable.

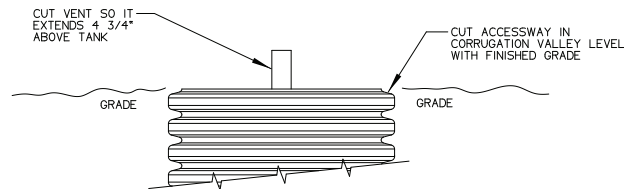


Figure 6

6. Remove existing cover shroud.

6a. Welded-on shroud (standard) - Using a hand saw, cut the tank in the valley between the two corrugations at grade, discard existing welded-on shroud and attached corrugations (*shroud is not to be reused*). *Caution: Be careful not to cut either the vent pipe or the pump breather cable.*

6b. Clamped-on shroud - Remove band clamp and cover shroud.

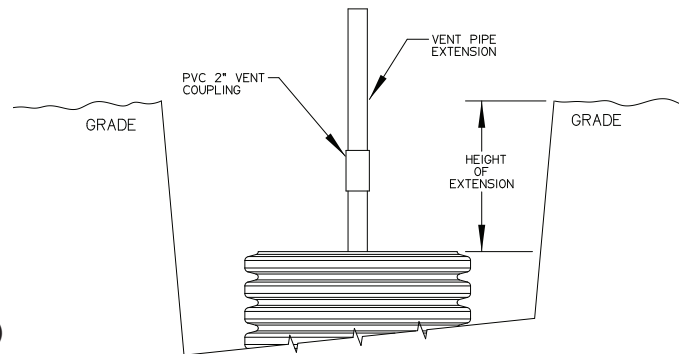


Figure 7

### REDUCING STATION HEIGHT (Fig. 6)

7. Using a hand saw, cut the tank in the valley between the two corrugations at grade.

8. Cut vent pipe 4 3/4" above the cut made on the tank. *Proceed to step 16.*

### INCREASING STATION HEIGHT (Fig. 7 and Fig. 8)

9. Remove the soil around the tank exposing it 18" deeper than the extension being installed. For example, if you have a 2' extension (not including the coupler) you must dig down 3'6" minimum from grade; if you have a 4' extension (not including the coupler) you must dig down 5'6" minimum from grade. Use caution not to damage buried cable.

10. Measure from grade down 2' (for a 2' extension) or 4' (for a 4' extension) and mark accessway. Using a hand saw, cut the tank in the valley between the two corrugations that are closest to your mark. *Note: Make sure the welded-on shroud of the extension will be at grade level. Be sure you are not cutting into the wet well and you must have two corrugations below your cut, if there are less than two corrugations, this extension kit can not be used.*

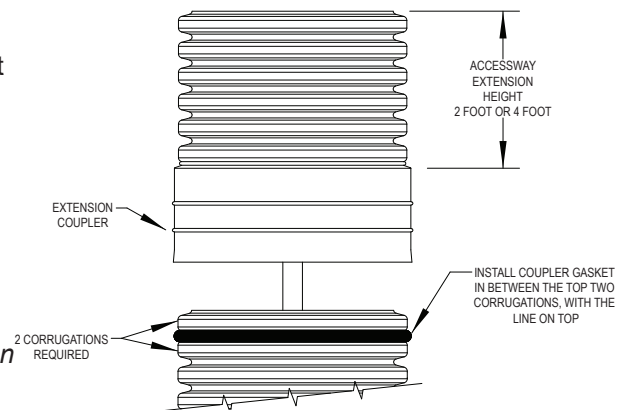


Figure 8

*Caution: Be careful not to cut either the vent pipe or the pump breather cable.*

11. Attach the vent pipe extension with the 2" vent

coupling, bringing the vent well above grade.

12. Clean all dirt and debris from top four corrugations on tank. Install the 24" coupler gasket on the tank between the top two corrugations with the white or yellow line facing out and on top.

13. Lube extension coupler and coupler gasket with pipe lube or dish soap.

14. Manually press coupling evenly over lubricated gasket. If additional force is needed, place a plywood cover over the accessway and apply gentle mechanical pressure to the coupler. *Note: Care must be used when pushing down on the coupler. Excessive force or impact may result in damage and leakage.*

15. Frequent visual inspections during installation must be performed to determine when the tank has fully engage the coupler.

**INSTALL REPLACEMENT COVER ASSEMBLY (Fig. 9)**

16. Clean top corrugation on accessway extension and mating surfaces of (existing or) replacement shroud with soap and water to remove any debris from surfaces.

17. Inspect the underside of (existing or) replacement Shroud to make sure the foam gasket strip is securely in place and undamaged. If there is any concern with the condition of the foam gasket strip, apply a bead of silicone RTV sealant (not provided) to the underside of the shroud where it will contact the corrugated pipe surface on the accessway.

18. Lube wet well vent grommet and vent pipe extension with pipe lube, non-grit hand cleaner, or dish soap and slide the vent pipe through the grommet until the shroud seats on the corrugated pipe surface of the accessway.

19. Place SS band clamp around top corrugation and the replacement shroud. Tap with a mallet around clamp to help seat the clamp. Torque stud assembly on band clamp to a maximum 125 inlb.

20. Reinstall the supply cable, EQD\*\*, tank lid and electrical shroud and tighten cable connector. (\*\*See "EQD wiring order," Table 1)

21. Follow start-up procedures to ensure proper pump operation (you will find the start-up instructions in our service manual or the station installation instruction guide).

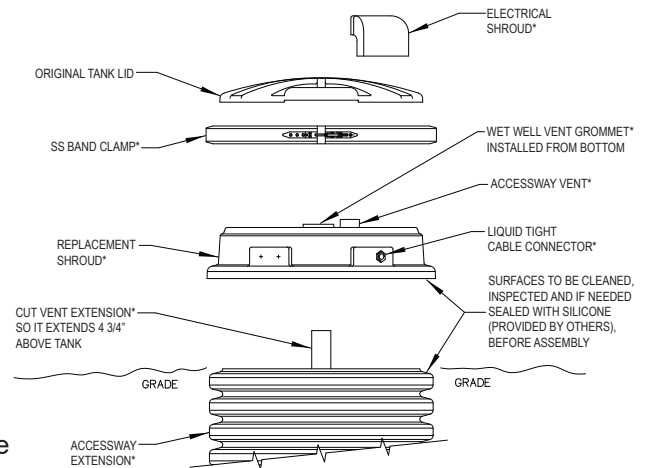


Figure 9

\*\*EQD wiring order

PIN #	COLOR
1	Brown
2	Red
3	Black
4	Grn/Yellow
5	Yellow
6	Blue

Table 1

Table 2

DESCRIPTION	PART NO.
Simplex station	NC0022G15
Simplex, flood plain config	NC0022G16
Duplex station	NC0022G17
Duplex, flood plain config	NC0022G18

\*Included in kit.

**NOTE: IF EXISTING ACCESSWAY HAS ONLY 2 CORRUGATIONS (Fig. 10)**

- If the coupler will not engage completely because the discharge piping is in the way, and it doesn't have a cut out, you will need to cut a slot in the coupler.

- Using a hand, reciprocating or hole saw, cut an arch in the coupler; the cut-out is not to exceed 5.50" tall or 5.00" wide.

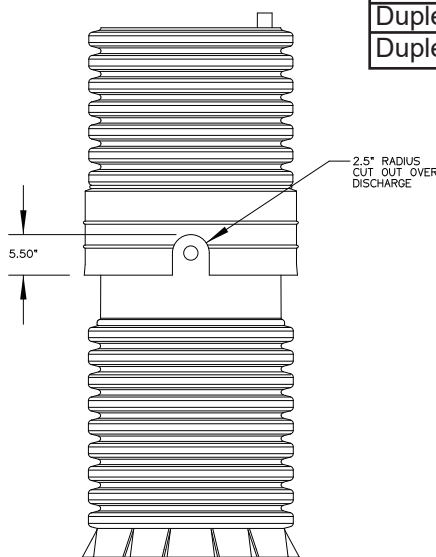


Figure 10

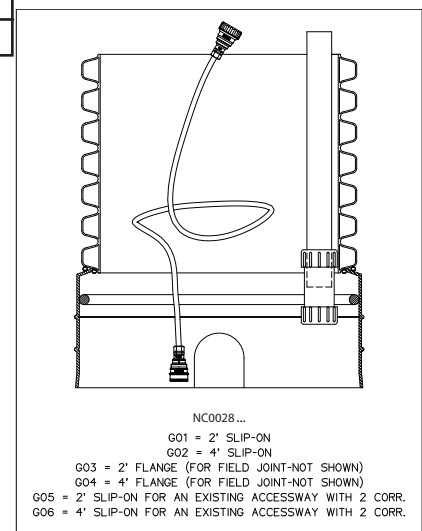


Figure 11







Scan code for service info at  
**eone.com/technician**



**Environment One Corporation**  
2773 Balltown Road · Niskayuna, New York 12309–1090

**Tel:** (01) 518.346.6161 · **Fax:** (01) 518.346.6188  
eone.com

Copyright © 2025 by Environment One Corporation

ALL RIGHTS RESERVED. This book contains material protected under International and Federal Copyright Laws and Treaties. Any unauthorized reprint or use of this material is prohibited. No part of this book may be reproduced or transmitted in any form or by any means, electronic or mechanical, including photocopying, recording, or by any information storage and retrieval system without express written permission from the author or publisher.

**NA0917P01 Rev -**  
4/26

# User Instructions

## for the Environment One Grinder Pump

### General Information

Your home is served by a low pressure sewer system; the key element is an Environment One grinder pump. The tank collects all solid materials and wastewater from the house. The solid materials are then ground to a small size suitable for pumping as a slurry with the wastewater. The grinder pump generates sufficient pressure to pump this slurry from your home to the wastewater treatment receiving line and/or disposal plant.

This device complies with Part 15 of the FCC rules. Operation is subject to the following two conditions: 1) this device may not cause harmful interference; and 2) this device must accept any interference received, including interference that may cause undesired operation. Any changes or modifications not expressly approved by the party responsible for compliance could void the user's authority to operate this equipment.

### Periods of Disuse

If your home or building is left unoccupied for longer than a couple of weeks, perform the following procedure:

#### Purge the System:

Run clean water into the unit until the pump activates. Immediately turn off the water and allow the grinder pump to run until it shuts off automatically.

#### Duplex Units:

Special attention must be taken to ensure that both pumps turn on when clean water is added to the tank.

**Caution: Do not disconnect power to the unit**

### Power Failure

Your grinder pump cannot dispose of wastewater without electrical power. If electrical power service is interrupted, keep water usage to a minimum.

### Pump Failure Alarm

Your Environment One grinder pump has been manufactured to produce an alarm signal (120 volt) in the event of a high water level in the basin. The installer must see that the alarm signal provided is connected to an audible and/or visual alarm in such a manner as to provide adequate warning to the user that service is required. During the interim prior to the arrival of an authorized service technician, water usage must be limited to the reserve capacity of the tank.

### Care and Use of Your Grinder Pump

The Environment One grinder pump is capable of accepting and pumping a wide range of materials, and an extensive grind test is required in order to obtain NSF approval. However, regulatory agencies advise that the following items **should not** be introduced into any sewer, either directly or through a kitchen waste disposal unit:

- **Glass**
- **Seafood shells**
- **Diapers, socks, rags or cloth**
- **Syringes**
- **Cotton swabs**
- **Personal/cleaning wipes & sponges**
- **Disposable toothbrushes**
- **Latex/vinyl items**
- **Metal**
- **Plastic objects (toys, utensils, etc.)**
- **Kitty litter**
- **Dental floss**
- **Aquarium gravel**
- **Sanitary napkins or tampons**
- **Cigarette butts**

**Caution: Kitchen garbage disposals do not keep grease/oil out of the plumbing system**

In addition, you must **never** introduce into any sewer:

- **Explosives**
- **Strong chemicals**
- **Lubricating oil and/or grease**
- **Flammable material**
- **Gasoline**

Items introduced into the sewer system from your home can potentially impact the water environment. Proper disposal of household wastes such as window cleaners, unused/expired pharmaceuticals, paint thinners, fats, fruit labels, etc. is important. For more information, visit [wef.org](http://wef.org).

**For service, please call your local distributor:**

# LIMITED WARRANTY



## FOR ALL D-SERIES, W-SERIES & UPGRADE

Environment One Corporation offers a limited warranty that guarantees its product to be free from defects in material and factory workmanship for a period of two years from the date of installation, or 27 months from the date of shipment, whichever occurs first, provided the product is properly installed, serviced and operated under normal conditions and according to manufacturer's instructions. Repair or parts replacement required as a result of such defect will be made free of charge during this period upon return of the defective parts or equipment to the manufacturer or its nearest authorized service center.



**For More Information  
Scan QR Code or Visit:**

[eone.com/sewer-systems/knowledge/warranty](http://eone.com/sewer-systems/knowledge/warranty)

---

**Model Number**

---

**Serial Number**

---

**Installation Date**

---

---

---

---

---

---

---

---

---

---

---

**Notes**



2773 Balltown Rd • Niskayuna NY USA 12309  
(01) 518.346.6161 • [www.eone.com](http://www.eone.com)