

DH352

General Features

The model DH352 grinder pump station is a complete unit that includes: two grinder pumps, check valve, polyethylene tank, controls, and alarm panel. A single DH352 is ideal for up to seven, average single-family homes and can also be used for up to 14 average single-family homes where codes allow and with consent of the factory.

- Rated for flows of 5200 gpd (19,684 lpd)
- 350 gallons (1,325 liters) of capacity
- Indoor or outdoor installation
- Standard outdoor heights range from 93 inches to 160 inches

The DH352 has a cable that connects the motor controls to the level controls through watertight penetrations.

Operational Information

Motor

1 hp, 1,725 rpm, high torque, capacitor start, thermally protected, 120/240V, 60 Hz, 1 phase

Inlet Connections

4-inch inlet grommet standard for DWV pipe. Other inlet configurations available from the factory.

Discharge Connections

Pump discharge terminates in 1.25-inch NPT female thread. Can easily be adapted to 1.25-inch PVC pipe or any other material required by local codes.

Discharge

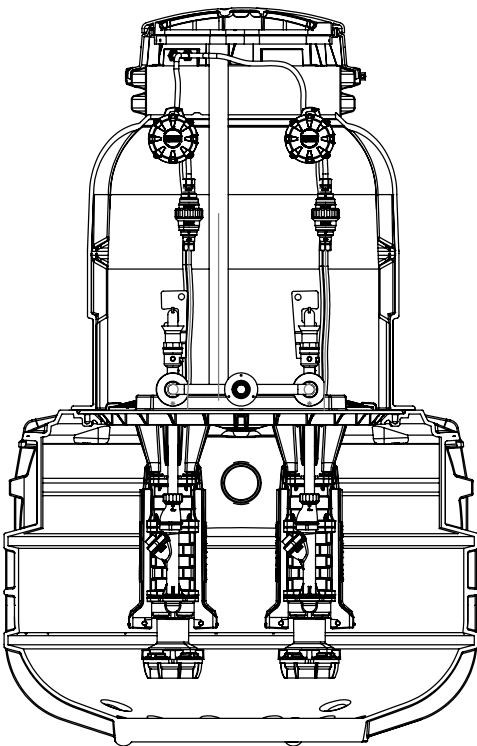
15 gpm at 0 psig (0.95 lps at 0 m)
11 gpm at 40 psig (0.69 lps at 28 m)
7.8 gpm at 80 psig (0.49 lps at 56 m)

Accessories

E/One requires that the Uni-Lateral, E/One's own stainless steel check valve, be installed between the grinder pump station and the street main for added protection against backflow.

Alarm panels are available with a variety of options, from basic monitoring to advanced notice of service requirements.

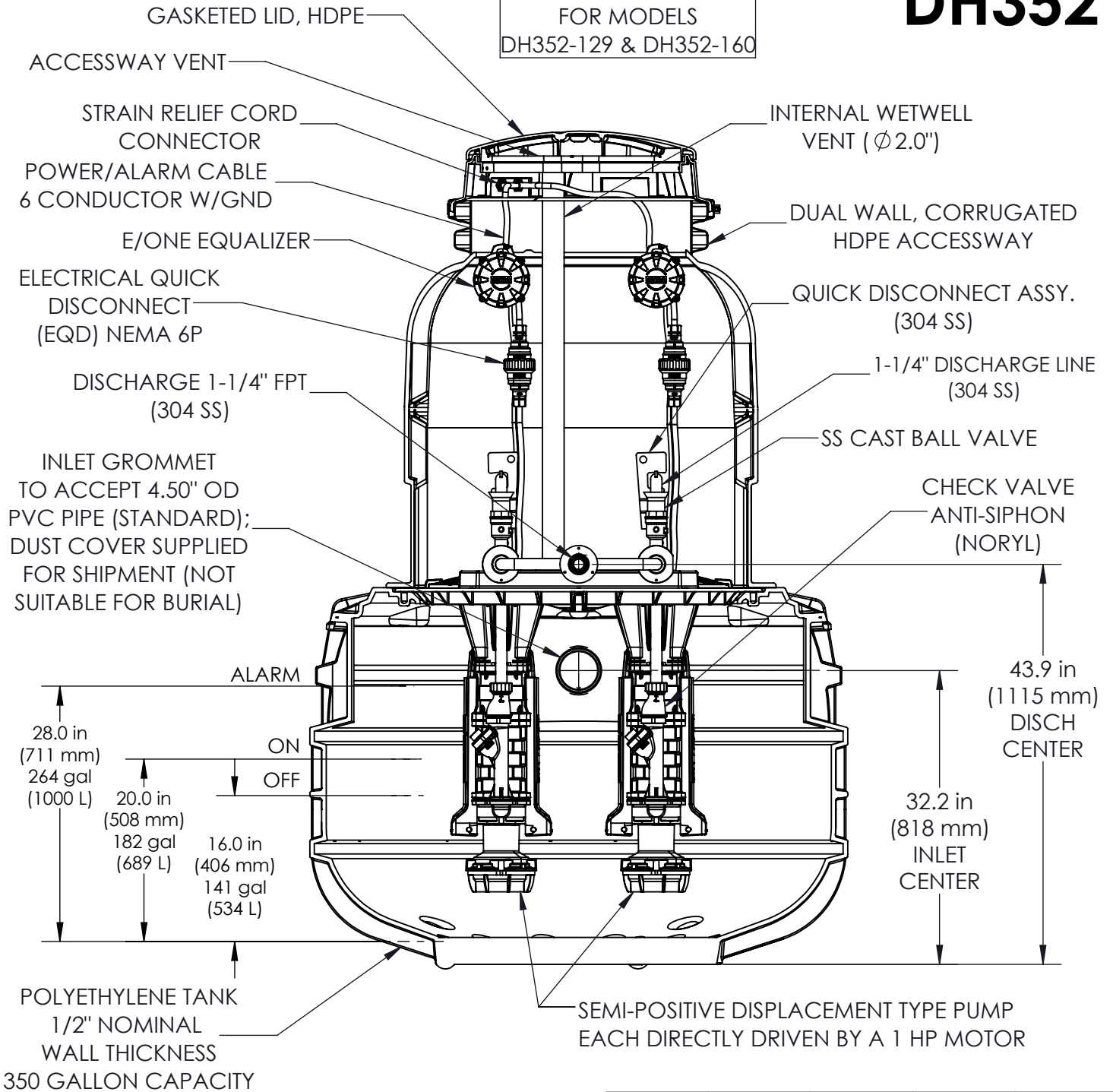
The Remote Sentry is ideal for installations where the alarm panel may be hidden from view.



NA0904P02

DH352

FIELD JOINT REQUIRED
FOR MODELS
DH352-129 & DH352-160



CONCRETE BALLAST MAY BE REQUIRED
SEE INSTALLATION INSTRUCTIONS FOR DETAILS

NOTE: DIMENSIONS ARE FOR REFERENCE ONLY



MAL	12/29/25	PJD	A	3/31/26
DR BY	DATE	CHK'D	ISSUE	DATE

e one
ENVIRONMENT ONE CORPORATION

MODEL DH352
DETAIL SHEET

NA0904P02

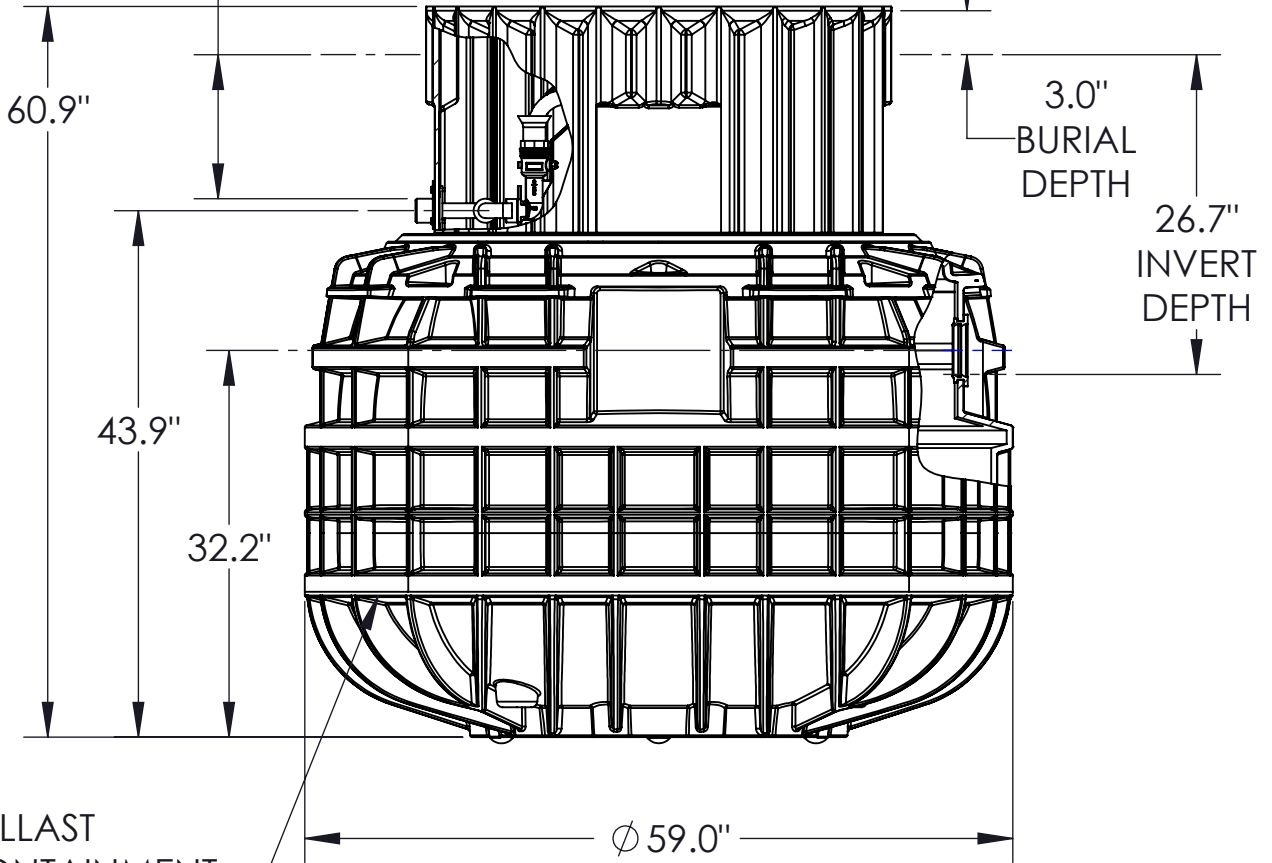
NA0904P03

DH352-60

BUILDERS MODEL

DISCHARGE VALVE

12.0"
COVER
OVER
DISCHARGE



DISCHARGE: 1-1/4" FEMALE
PIPE THD.

INLET: EPDM GROMMET FOR
4" DWV PIPE (STANDARD)

NOTE: DIMENSIONS ARE FOR
REFERENCE ONLY

CONCRETE BALLAST MAY BE REQUIRED
SEE INSTALLATION INSTRUCTIONS
FOR DETAILS



PJD	4/2/26	MAL	-	4/6/26
DR BY	DATE	CHK'D	ISSUE	DATE

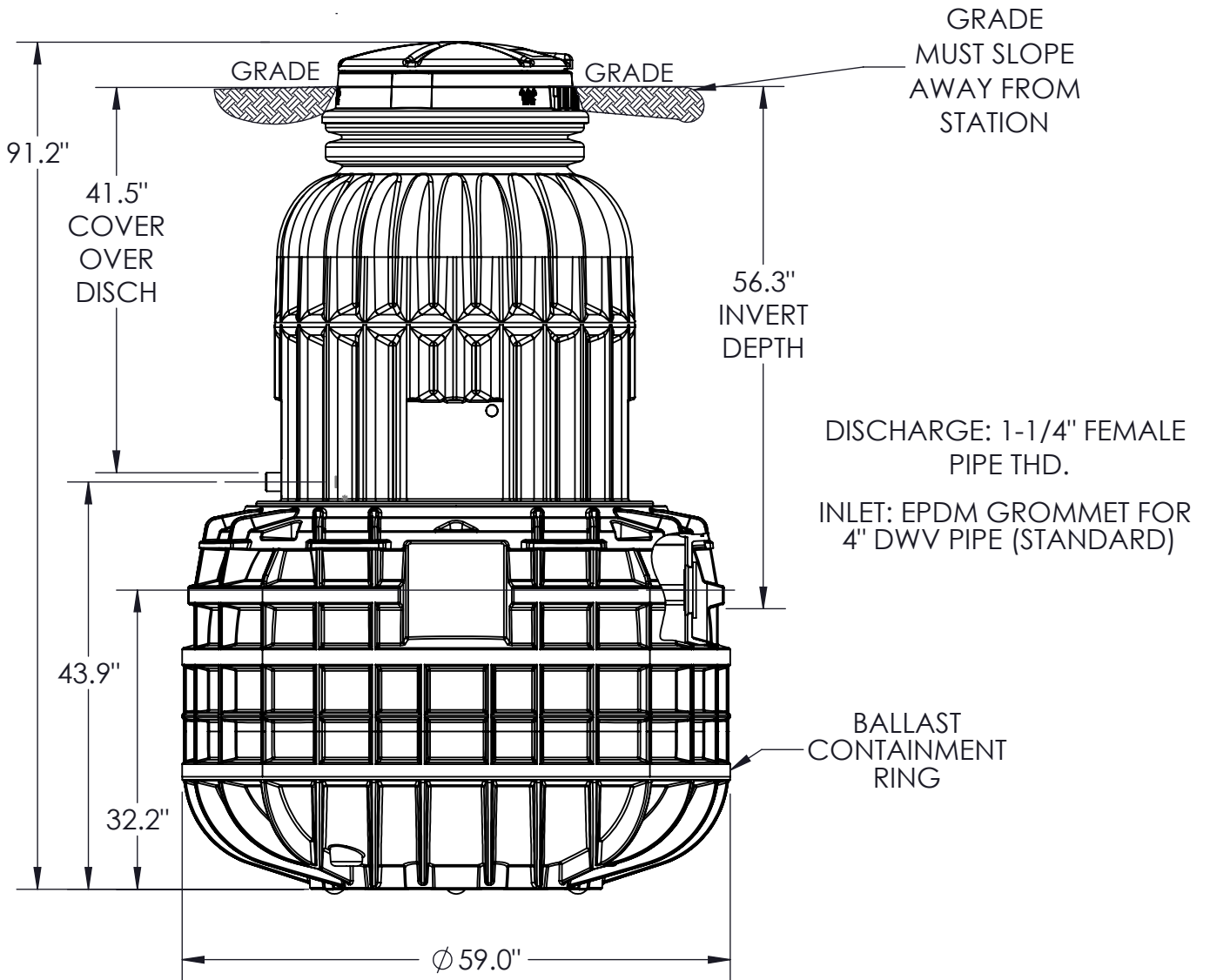


ENVIRONMENT ONE CORPORATION

MODEL DH352-60

NA0904P03

DH352-93




CONCRETE BALLAST MAY BE REQUIRED
SEE INSTALLATION INSTRUCTIONS
FOR DETAILS

NOTE: DIMENSIONS ARE FOR
REFERENCE ONLY



MAL	3/30/26	PJD	-	3/30/26
DR BY	DATE	CHK'D	ISSUE	DATE

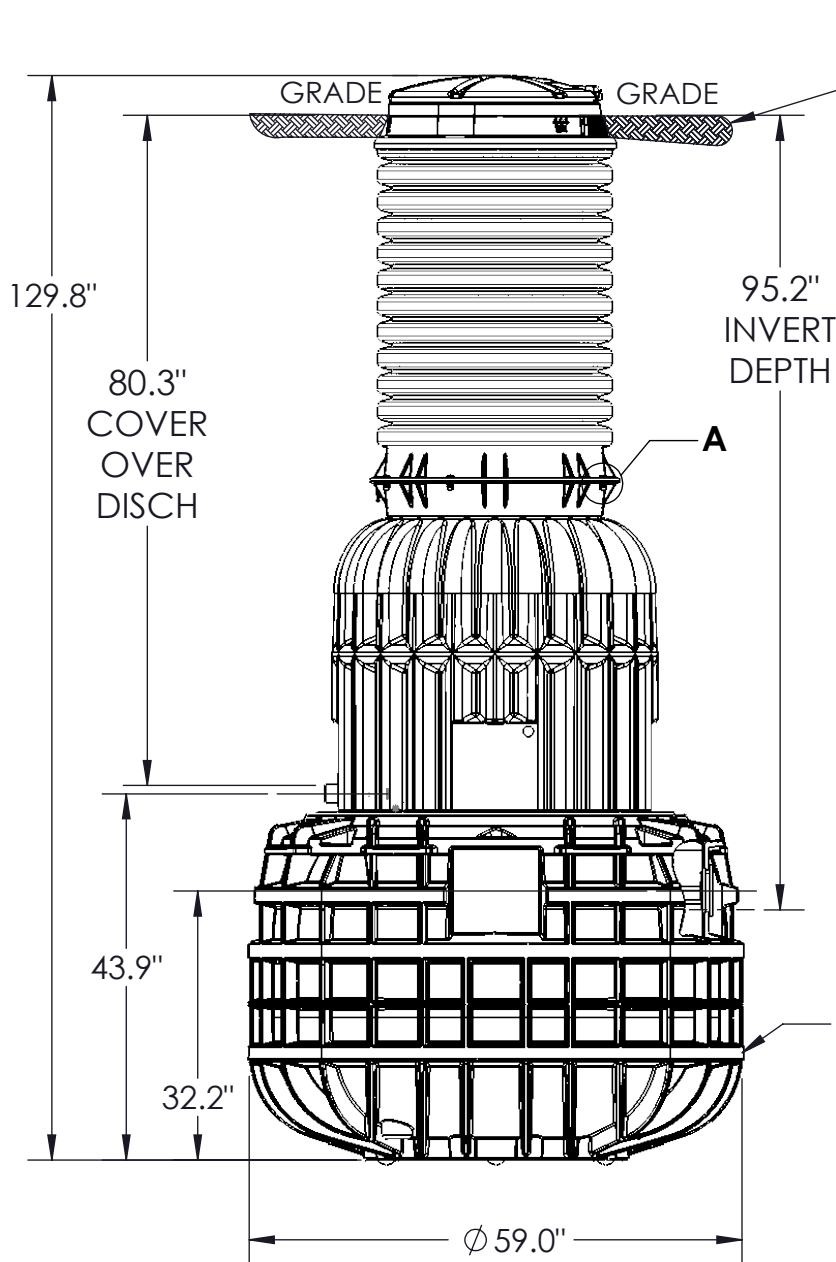


ENVIRONMENT ONE CORPORATION

MODEL DH352-93

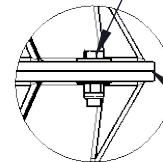
NA0904P04

DH352-129



GRADE
MUST SLOPE
AWAY FROM
STATION

3/8" SS HARDWARE
FIELD ASSEMBLY
(16 PLACES)



SIKA TAPE
FIELD LOCATE

DETAIL A FIELD JOINT

SEE INSTALLATION
INSTRUCTIONS FOR
FURTHER DETAILS

DISCHARGE: 1-1/4" FEMALE PIPE THD.

INLET: EPDM GROMMET FOR
4" DWV PIPE (STANDARD)

BALLAST
CONTAINMENT
RING

CONCRETE BALLAST MAY BE REQUIRED
SEE INSTALLATION INSTRUCTIONS
FOR DETAILS

NOTE: DIMENSIONS ARE FOR
REFERENCE ONLY



MAL	3/30/26	PJD	-	3/30/26
DR BY	DATE	CHK'D	ISSUE	DATE

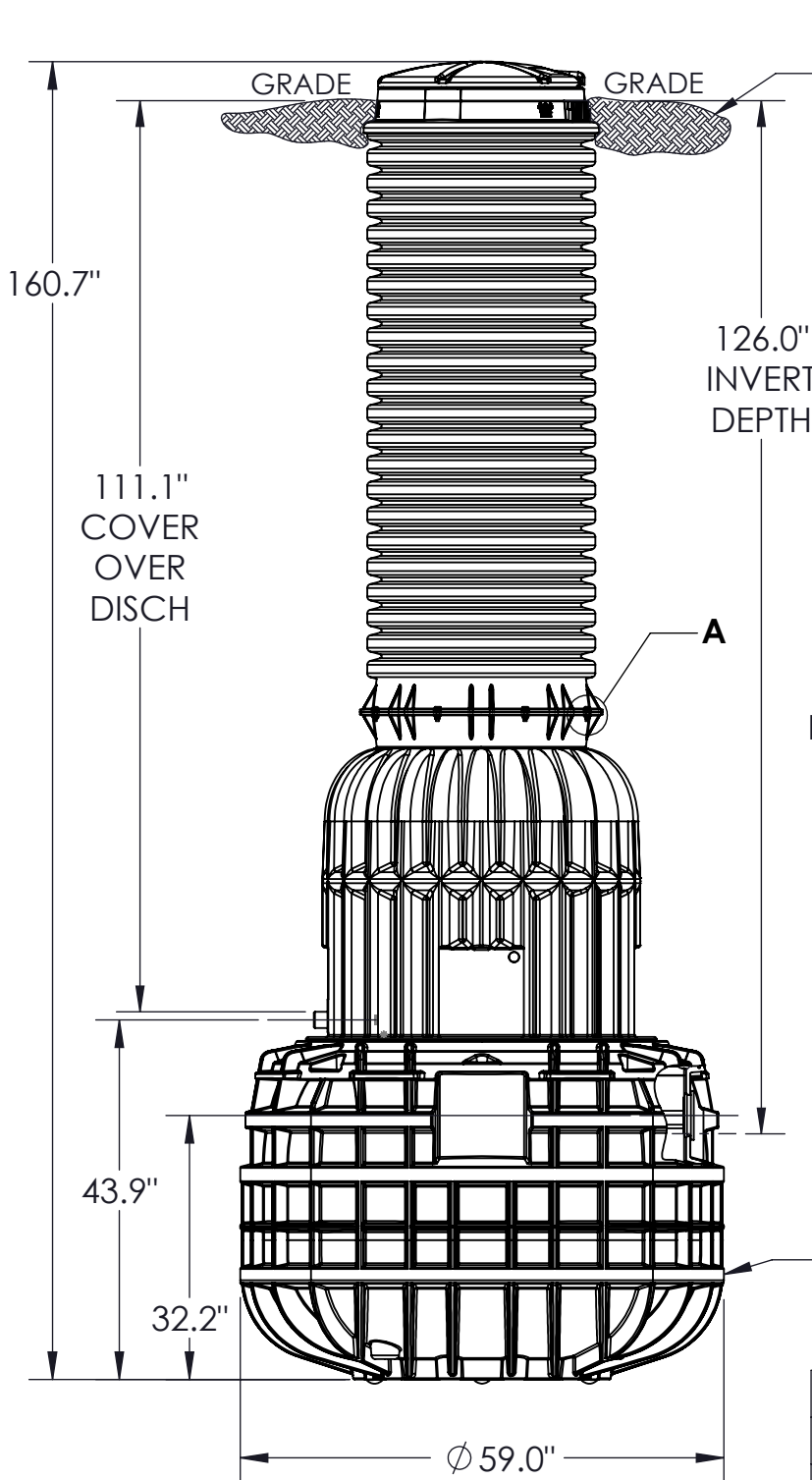


ENVIRONMENT ONE CORPORATION

MODEL DH352-129

NA0904P05

DH352-160



GRADE
MUST SLOPE
AWAY FROM
STATION



**DETAIL A
FIELD JOINT**

SEE INSTALLATION
INSTRUCTIONS FOR
FURTHER DETAILS

DISCHARGE: 1-1/4" FEMALE PIPE THD.

INLET: EPDM GROMMET FOR
4" DWV PIPE (STANDARD)

NOTE: DIMENSIONS ARE FOR
REFERENCE ONLY

BALLAST
CONTAINMENT
RING

CONCRETE BALLAST MAY BE REQUIRED
SEE INSTALLATION INSTRUCTIONS
FOR DETAILS

PJD	12/30/25	SGS	-	3/24/26
DR BY	DATE	CHK'D	ISSUE	DATE



ENVIRONMENT ONE CORPORATION

MODEL DH352-160

NA0904P06

