

## DH502/DR502

### General Features

The model DH502 or DR502 grinder pump station is a complete unit that includes: two grinder pumps, check valve, FRP (fiberglass reinforced polyester) tank, controls, and alarm panel. A single DH502 or DR502 is ideal for up to nine, average single-family homes and can also be used for up to 24 average single-family homes where codes allow and with consent of the factory.

- Rated for flows of 6000 gpd (22,714 lpd)
- 500 gallons (1893 liters) of capacity
- Indoor or outdoor installation
- Standard outdoor heights range from 104 inches to 160 inches

The DH502 is the “hardwired,” or “wired,” model where a cable connects the motor controls to the level controls through watertight penetrations.

The DR502 is the “radio frequency identification” (RFID), or “wireless,” model that uses wireless technology to communicate between the level controls and the motor controls.

### Operational Information

#### *Motor*

1 hp, 1,725 rpm, high torque, capacitor start, thermally protected, 120/240V, 60 Hz, 1 phase

#### *Inlet Connections*

4-inch inlet grommet standard for DWV pipe. Other inlet configurations available from the factory.

#### *Discharge Connections*

Pump discharge terminates in 1.25-inch NPT female thread. Can easily be adapted to 1.25-inch PVC pipe or any other material required by local codes.

#### *Discharge*

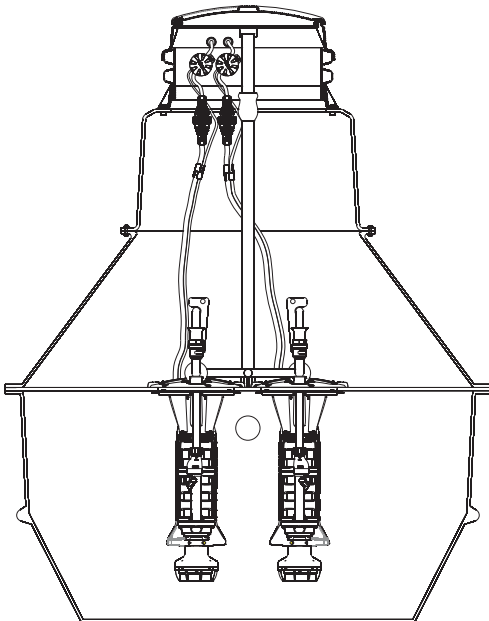
15 gpm at 0 psig (0.95 lps at 0 m)  
11 gpm at 40 psig (0.69 lps at 28 m)  
7.8 gpm at 80 psig (0.49 lps at 56 m)

### Accessories

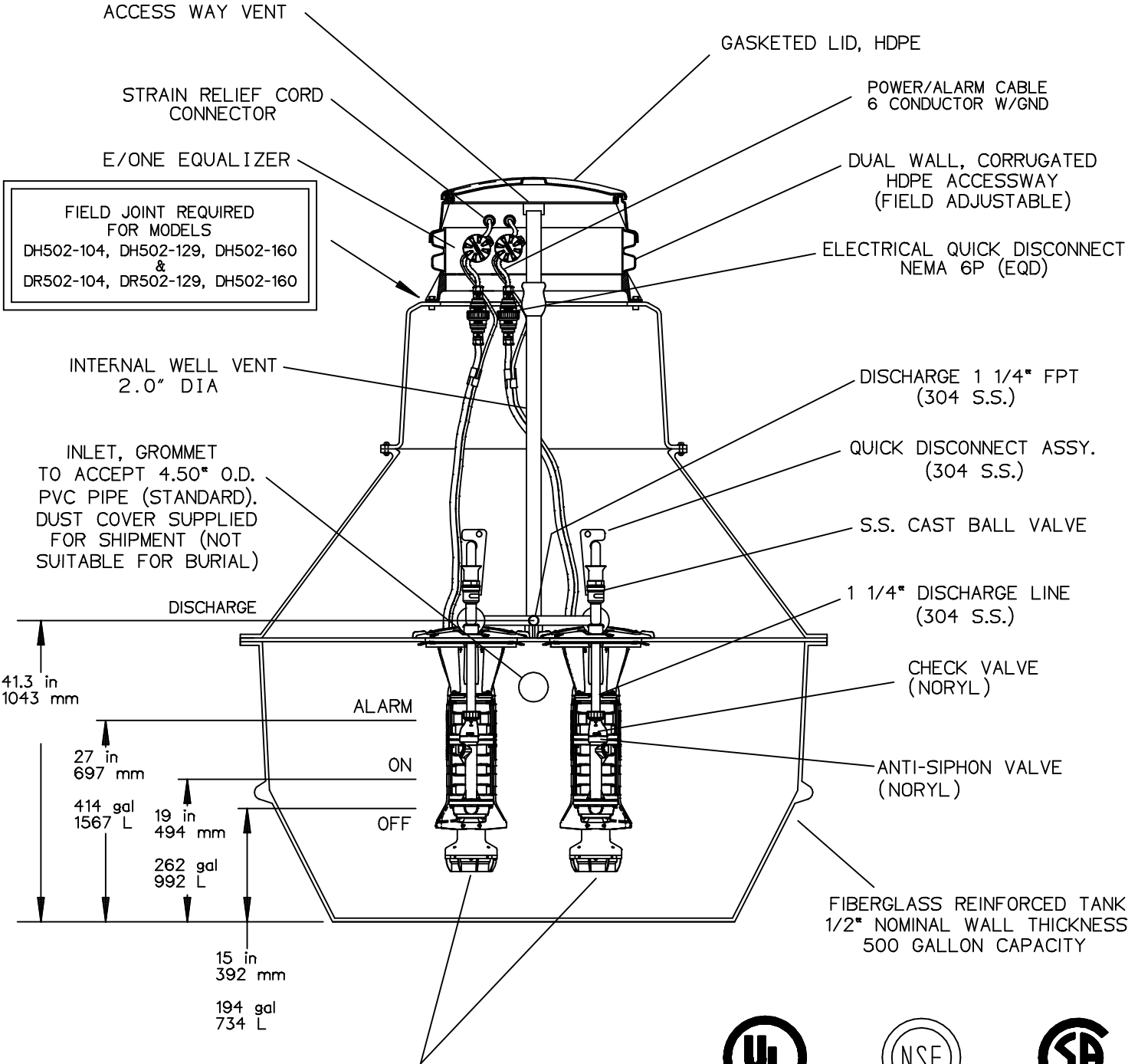
E/One requires that the Uni-Lateral, E/One’s own stainless steel check valve, be installed between the grinder pump station and the street main for added protection against backflow.

Alarm panels are available with a variety of options, from basic monitoring to advanced notice of service requirements.

The Remote Sentry is ideal for installations where the alarm panel may be hidden from view.



**OPTIONS :**  **DH502** (HARD WIRED LEVEL CONTROLS)  
 **DR502** (WIRELESS LEVEL CONTROLS)



FIELD JOINT REQUIRED FOR MODELS  
 DH502-104, DH502-129, DH502-160  
 &  
 DR502-104, DR502-129, DH502-160

DISCHARGE

41.3 in  
1043 mm

27 in  
697 mm

414 gal  
1567 L

19 in  
494 mm

262 gal  
992 L

15 in  
392 mm

194 gal  
734 L

SEMI-POSITIVE DISPLACEMENT TYPE PUMP.  
 EACH DIRECTLY DRIVEN BY A 1 HP MOTOR

CONCRETE BALLAST MAY BE REQUIRED  
 SEE INSTALLATION INSTRUCTIONS  
 FOR DETAILS

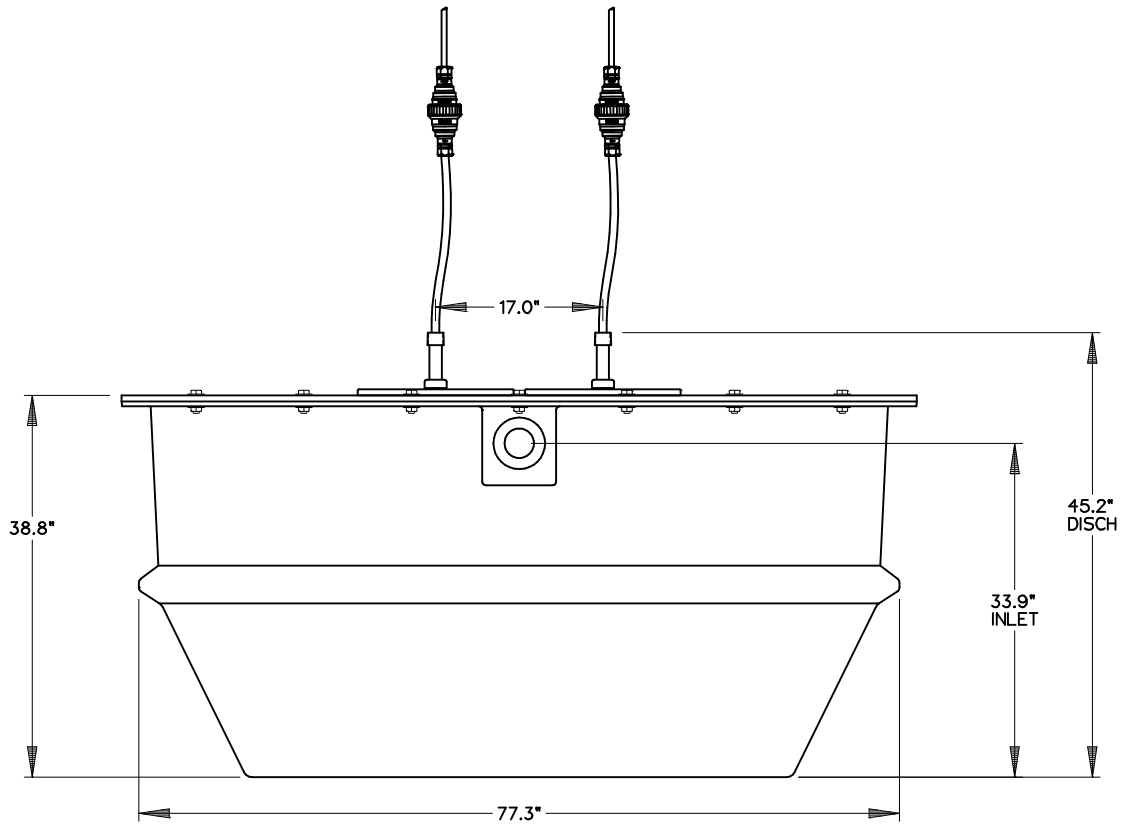
NOTE: DIMENSIONS ARE FOR REF ONLY



AD	CH	10/20/10	D	
DR BY	CHK'D	DATE	ISSUE	SCALE
MODEL DH502 / DR502 DETAIL SHEET				
NA0054P02				

# DH502-39

## INDOOR UNIT



DISCHARGE: 1-1/4 MALE  
PIPE THREAD

INLET: EPDM GROMMET FOR  
4" DWV PIPE (STANDARD)



AD	CAH	04/25/07	A	1/20
DR BY	CHK'D	DATE	ISSUE	SCALE



MODEL DH502-39

NA0054P03

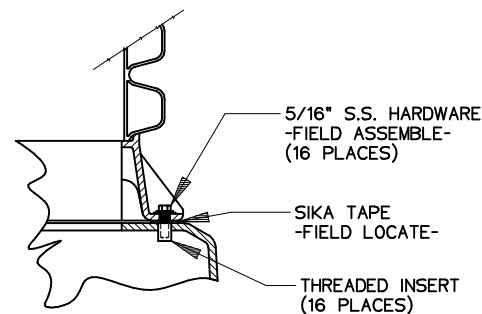
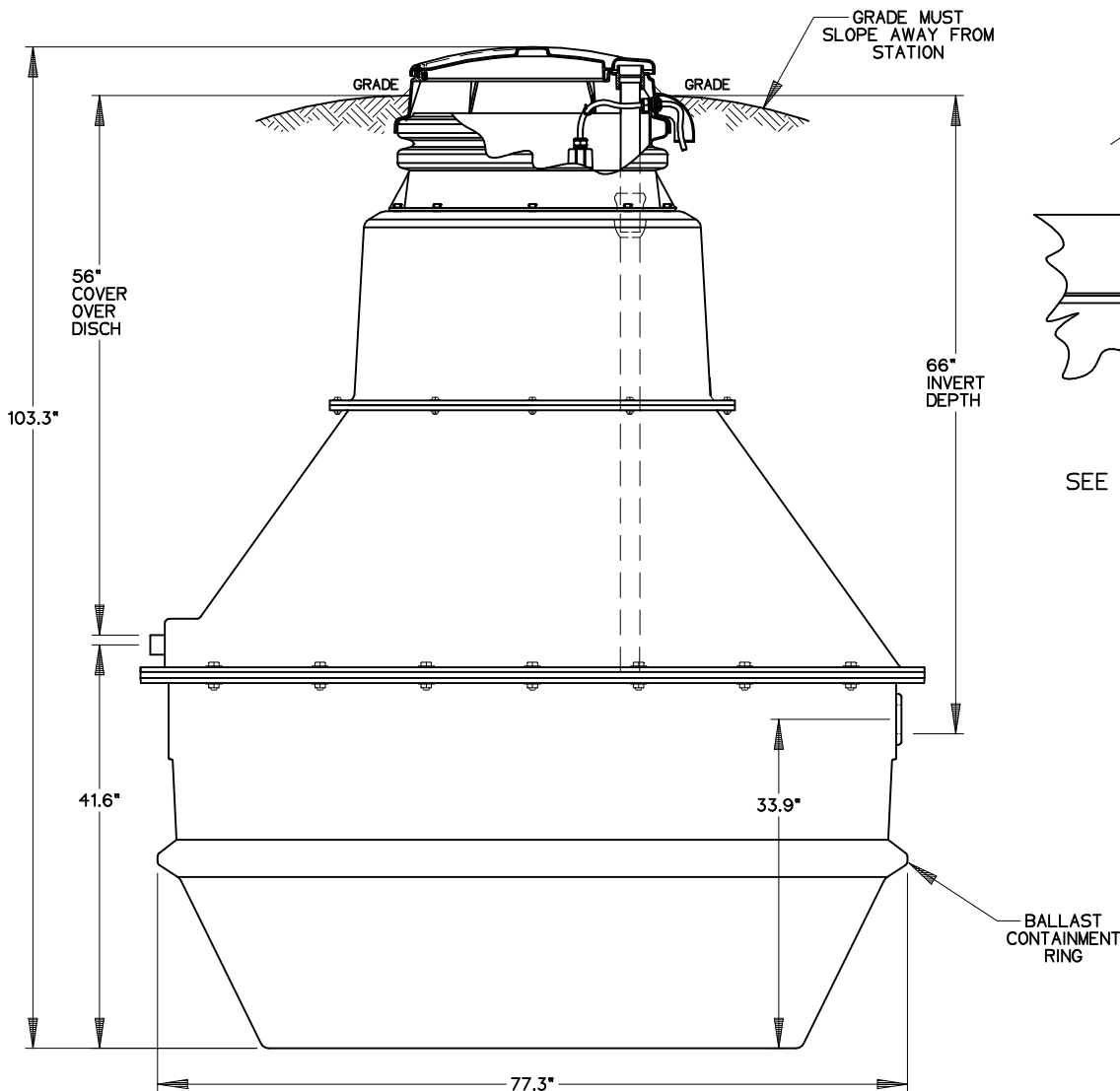
NOTE: DIMENSIONS ARE FOR REF ONLY

OPTIONS :  DH502-104

(HARD WIRED  
LEVEL CONTROLS)

DR502-104

(WIRELESS  
LEVEL CONTROLS)



SEE INSTALLATION INSTRUCTIONS FOR FURTHER DETAILS

DISCHARGE: 1-1/4 FEMALE PIPE THREAD

INLET: EPDM GROMMET FOR 4" DWV PIPE (STANDARD)

CONCRETE BALLAST MAY BE REQUIRED  
SEE INSTALLATION INSTRUCTIONS  
FOR DETAILS

NOTE: DIMENSIONS ARE FOR REF ONLY



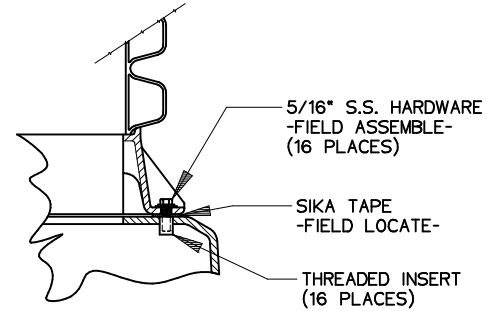
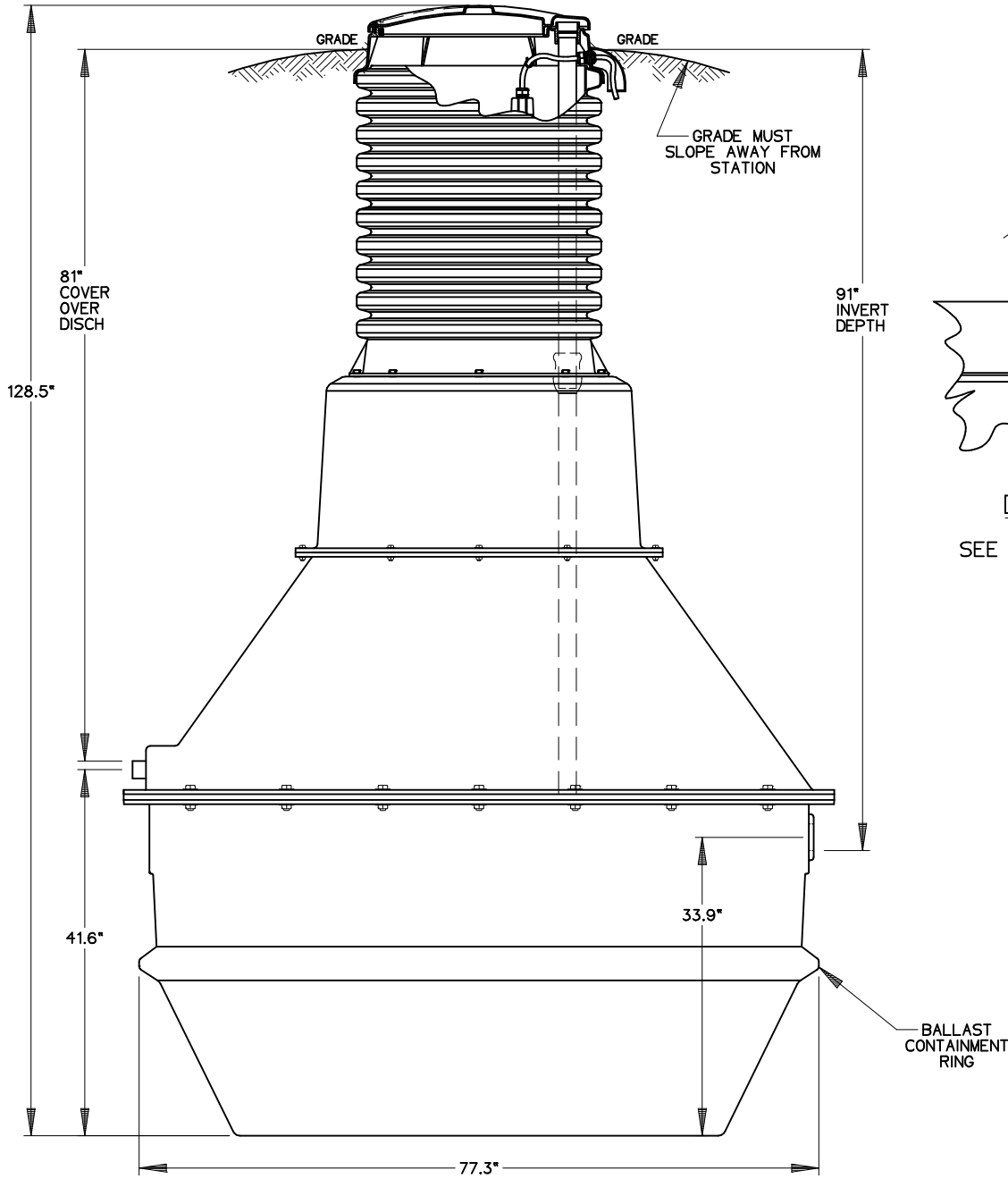
AD	CAH	07/13/07	B	1/20
DR BY	CHK'D	DATE	ISSUE	SCALE



MODEL DH502-104 / DR502-104

NA0054P04

**OPTIONS :**  **DH502 -129** (HARD WIRED LEVEL CONTROLS)  
 **DR502 -129** (WIRELESS LEVEL CONTROLS)



DETAIL, FIELD JOINT

SEE INSTALLATION INSTRUCTIONS FOR FURTHER DETAILS

DISCHARGE: 1-1/4 FEMALE PIPE THREAD

INLET: EPDM GROMMET FOR 4" DWV PIPE (STANDARD)



CONCRETE BALLAST MAY BE REQUIRED  
SEE INSTALLATION INSTRUCTIONS  
FOR DETAILS

NOTE: DIMENSIONS ARE FOR REF ONLY

AD	CAH	7/13/07	B	1/20
DR BY	CHK'D	DATE	ISSUE	SCALE



MODEL DH502-129 / DR502-129

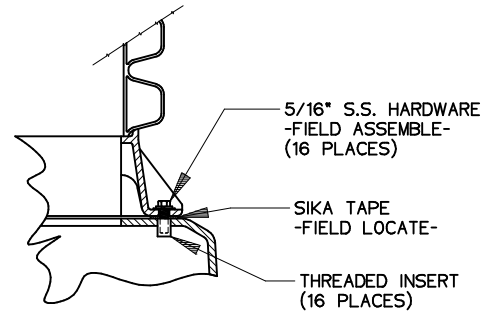
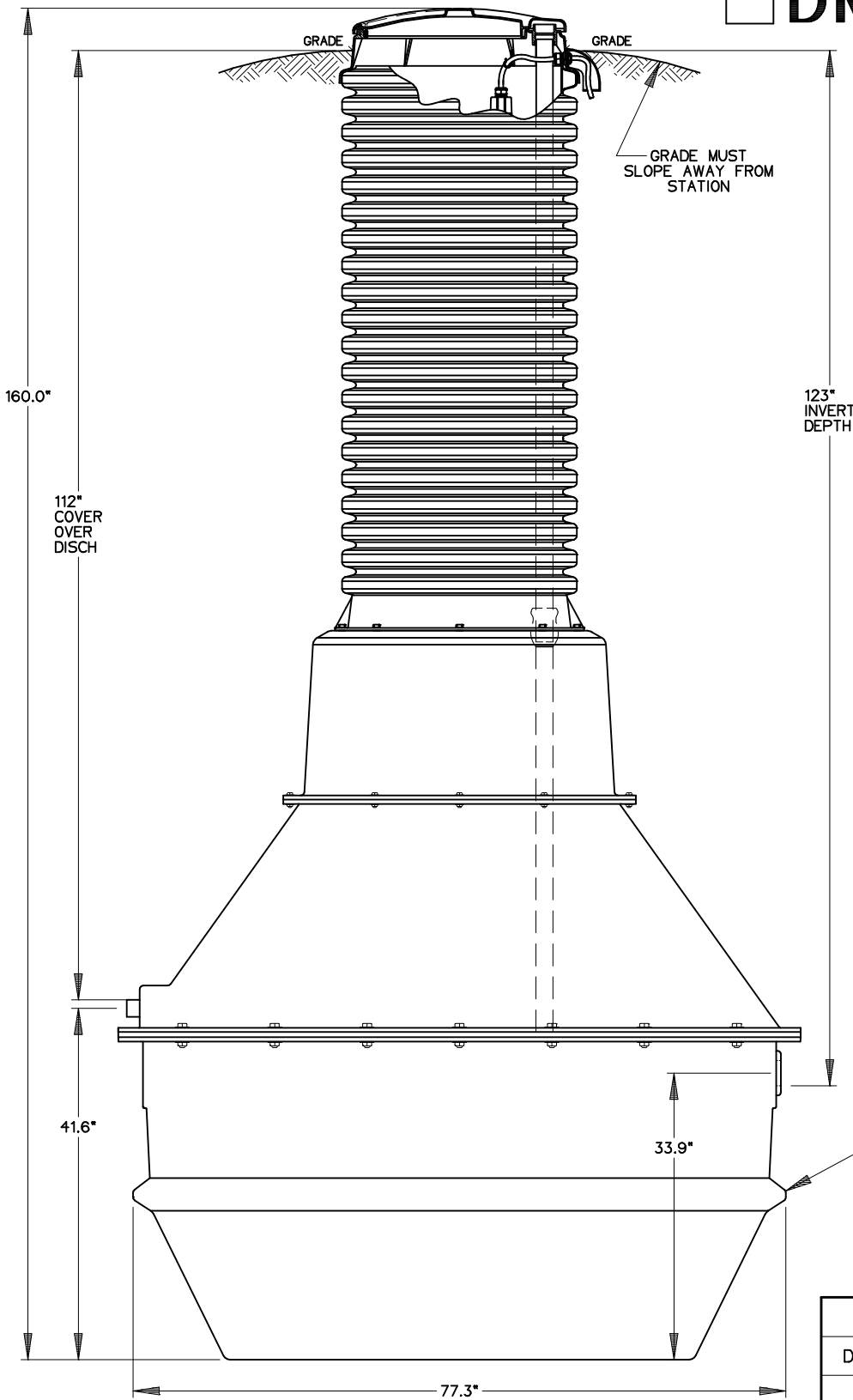
NA0054P05

OPTIONS :  **DH502-160**

(HARD WIRED  
LEVEL CONTROLS)

**DR502-160**

(WIRELESS  
LEVEL CONTROLS)



DETAIL, FIELD JOINT

SEE INSTALLATION INSTRUCTIONS FOR FURTHER DETAILS



AD	CAH	07/13/07	B	1/20
DR BY	CHK'D	DATE	ISSUE	SCALE



MODEL DH502-160 / DR502-160

NA0054P06

DISCHARGE: 1-1/4 FEMALE  
PIPE THREAD

INLET: EPDM GROMMET FOR  
4" DWV PIPE (STANDARD)

CONCRETE BALLAST MAY BE REQUIRED  
SEE INSTALLATION INSTRUCTIONS  
FOR DETAILS

NOTE: DIMENSIONS ARE FOR REF ONLY