

E/One Quad T260

Quad Alternating Alarm Panel

Description

The T260 Quad Alternating Alarm panel is custom designed for use with Environment One Quad grinder pump stations.

Quad grinder pump stations, a station with four grinder pumps, require the pumping load to be shared equally between the four pumps. Under normal conditions, two pumps remove the accumulated sewage from the grinder pump basin. After 24 hours, the T260 Quad Panel toggles the electrical supply power to the pumps that were idle. If the sewage level reaches the alarm level, the four grinder pumps will operate simultaneously for 3 to 4 minutes. If, after that time, the sewage is not below the alarm level, the alarm circuit is engaged.

The T260 Quad Panel is supplied with audible and visual high water level alarms. The panel is easily installed in accordance with relevant national and local codes.

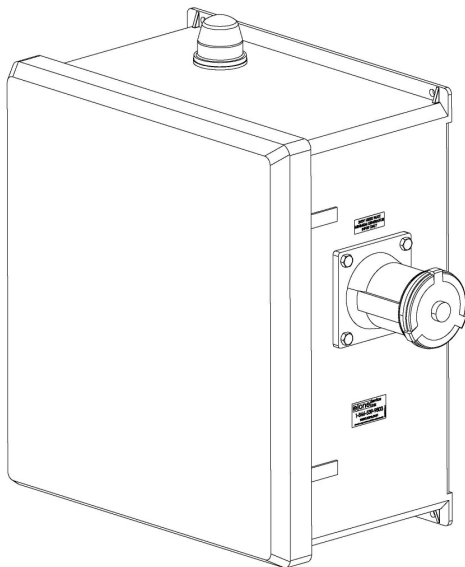
The T260 Quad Panel is listed by Underwriters Laboratories to ensure high quality and safety.

Standard Features

- UL-approved, corrosion-proof enclosure
- NEMA 4X-rated enclosure with hinged access panel
- Lockable latch with keyed-alike padlock included
- Circuit breakers
- Terminal blocks & ground lugs
- Dry contacts
- Lead/lag, run and alarm indicator lights
- Manual push-to-run
- Generator Receptacle with Auto Transfer

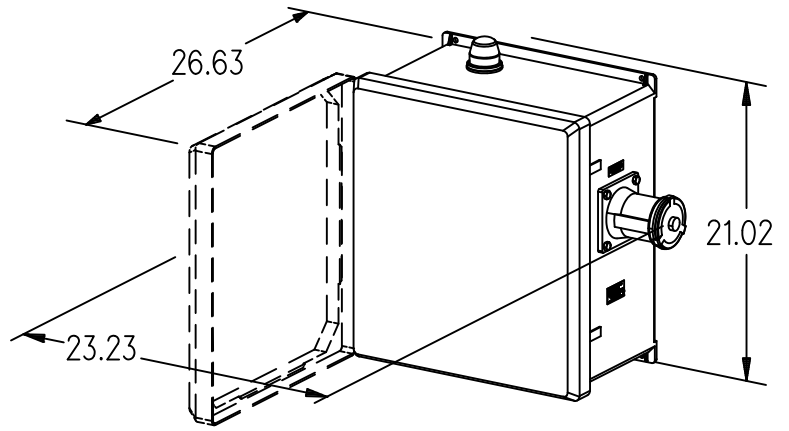
Optional Features

- E/One Sentry Advisor
- Consult factory for special applications

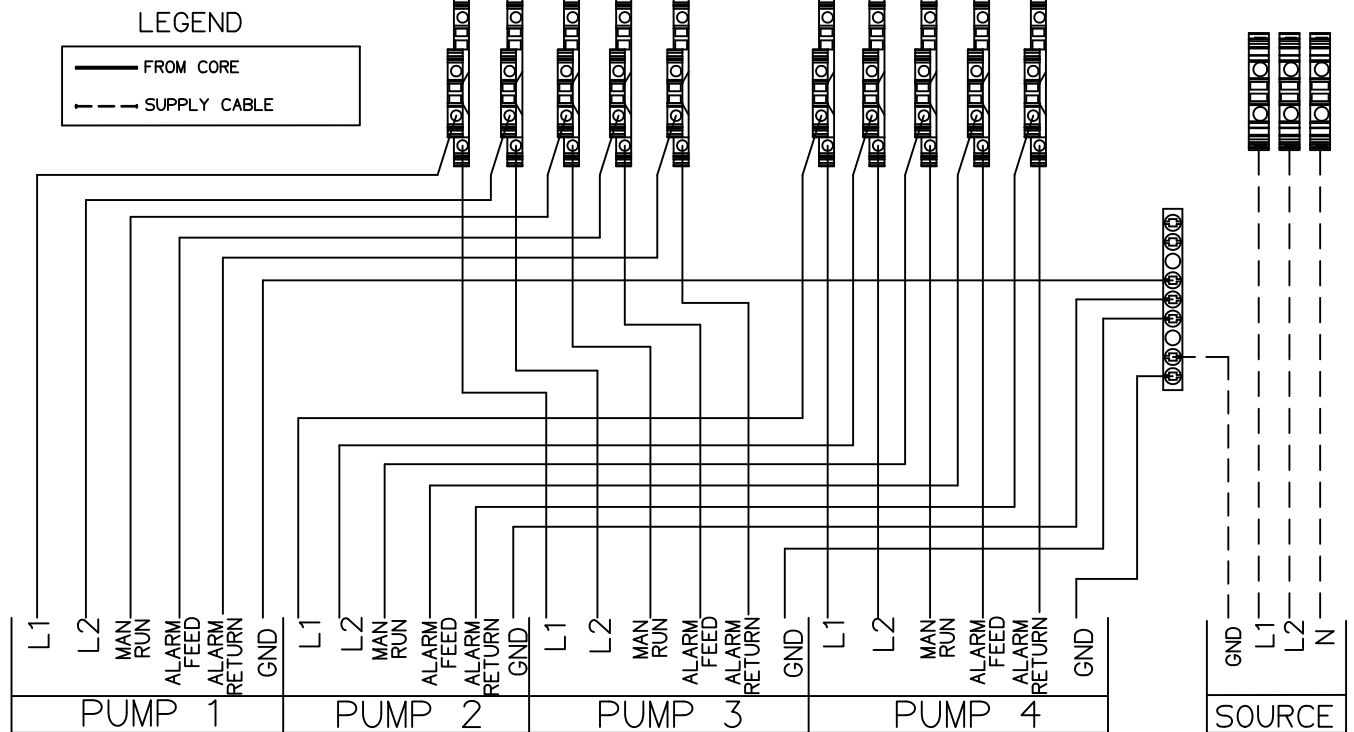


QUAD ALTERNATING PANEL T-260

EXTERNAL VISUAL & AUDIBLE ALARM
EXTERNAL LATCHING MANUAL SILENCE
MANUAL RUN
PUMP RUN INDICATORS
CONFORMAL COATED CIRCUIT BOARDS
PADLOCK
ALARM DRY CONTACTS
NEMA 4X ENCLOSURE ASSEMBLY
GENERATOR RECEPTACLE W/ AUTO XFER
E/ONE SENTRY ADVISOR (OPTIONAL)



CORROSION PROOF FIBERGLASS APPROVED BY UL
FOR ELECTRICAL CONTROL ENCLOSURE



ONLY FIELD WIRING SHOWN - IF
FULL WIRING REQUIRED, CONTACT
FACTORY

INCOMING
POWER
DEDICATED 60A
BREAKER REQ.

PIN	FUNCTION	2000S	EXTREME
1	MANUAL RUN	RED	BROWN
2	L1	BLACK	RED
3	L2	WHITE	BLACK
4	GND	GREEN	GRN/YEL
5	ALARM FEED	ORANGE	YELLOW
6	ALARM RETURN	BLUE	BLUE

CONTROL CABLE:
TYPE TC: DIRECT BURIAL, 12AWG,
SIX CONDUCTOR



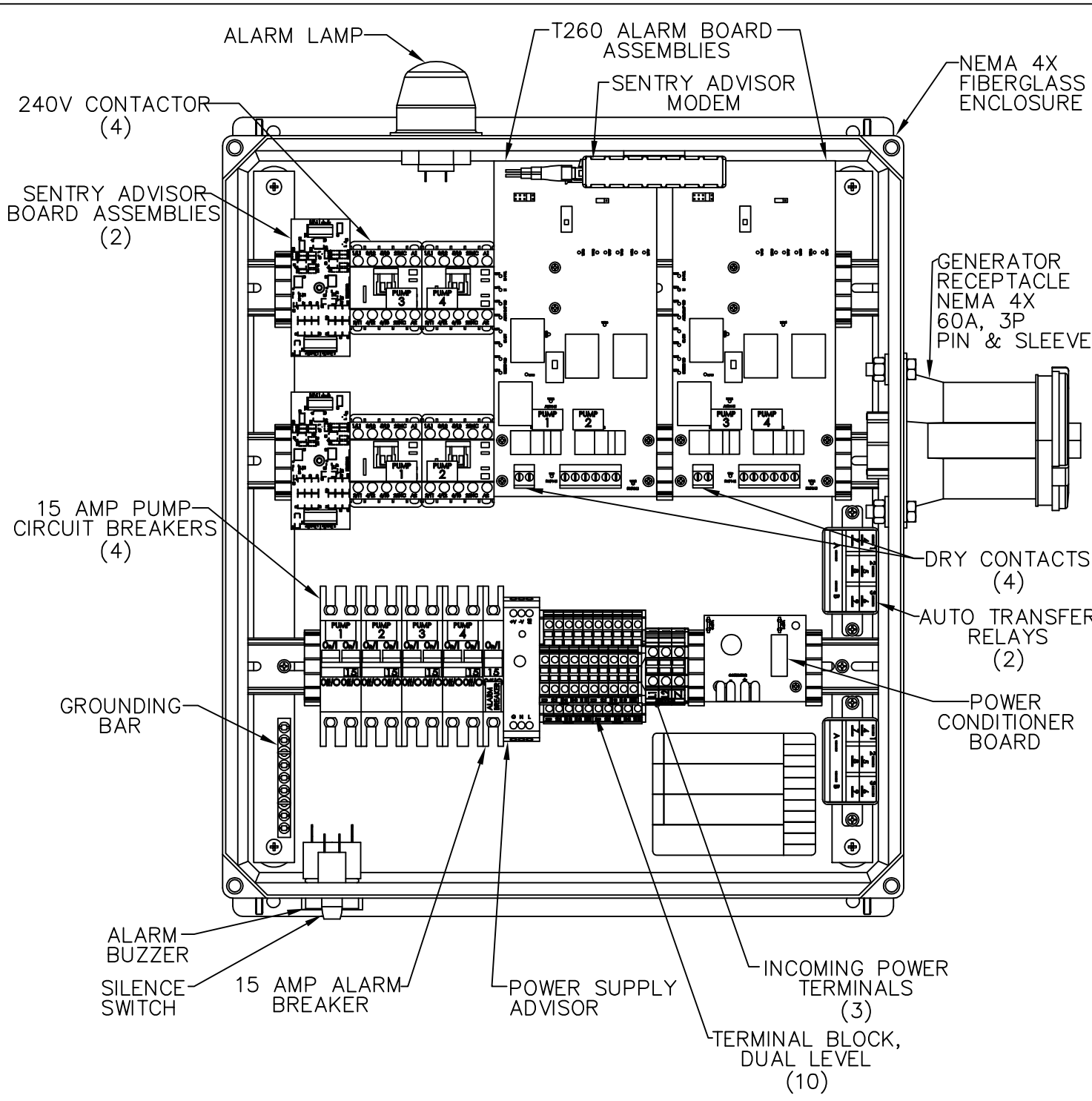
LISTED 506D

NKS	SGS	02-14-17	-	N/A
DR BY	CHK'D	DATE	ISSUE	SCALE



QUAD T260 ALTERNATING PANEL,
240V 60Hz DOUBLE POLE POWER
WIRED LEVEL CONTROL

NA0610P02



MODEL T260 QUAD ALTERNATING PANEL
PART NUMBER NC0409G01

PIN	FUNCTION	2000S	EXTREME
1	MANUAL RUN	RED	BROWN
2	L1	BLACK	RED
3	L2	WHITE	BLACK
4	GND	GREEN	GRN/YEL
5	ALARM FEED	ORANGE	YELLOW
6	ALARM RETURN	BLUE	BLUE

NKS	SGS	02-14-17	-	N/A
DR BY	CHK'D	DATE	ISSUE	SCALE

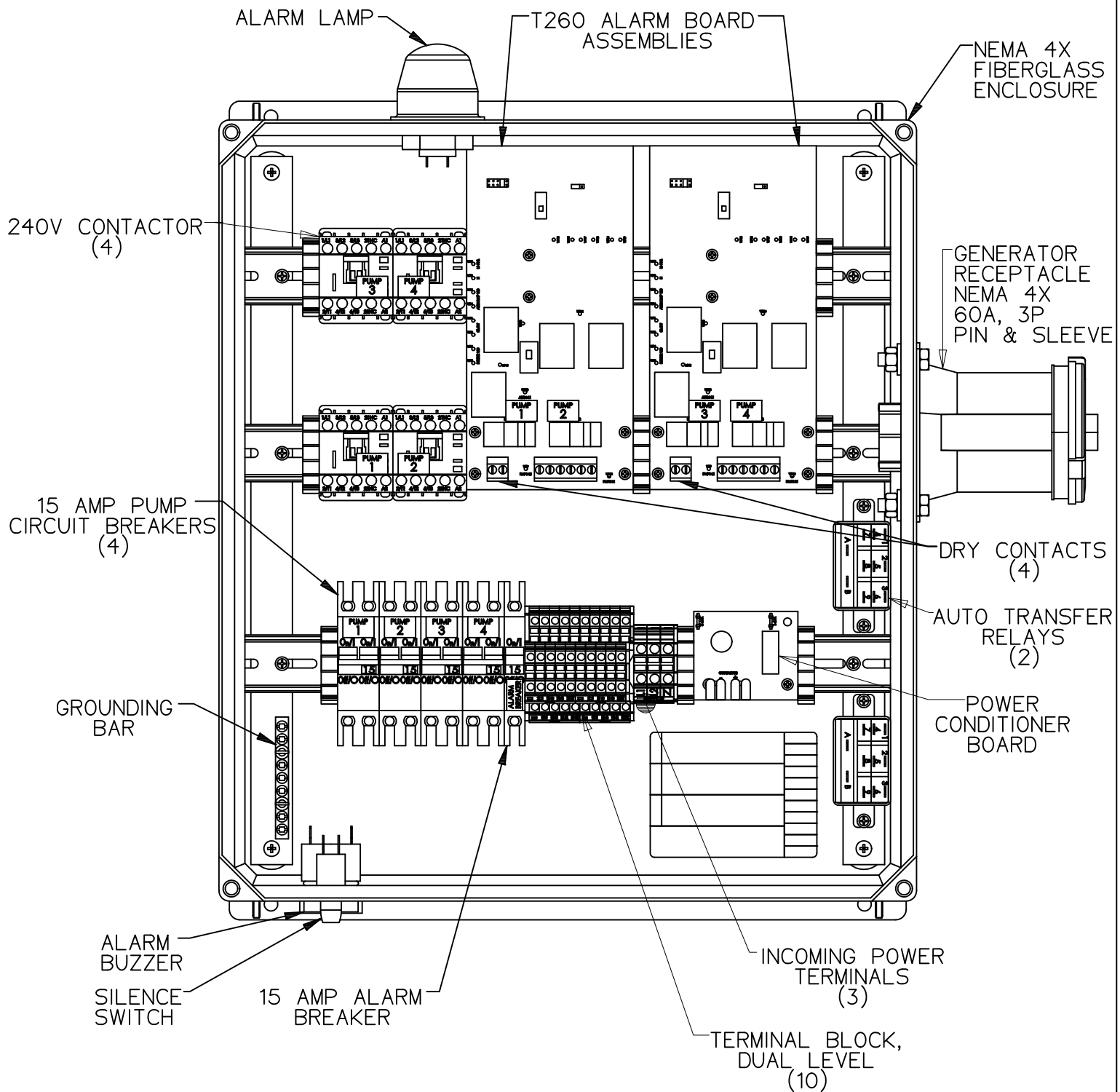


SEWER SYSTEMS
QUAD T260 ALTERNATING PANEL W/ ADVISOR,
240V 60Hz DOUBLE POLE POWER
WIRED LEVEL CONTROL



LISTED 506D

NA0610P03



MODEL T260 QUAD ALTERNATING PANEL
PART NUMBER NC0409G02

PIN	FUNCTION	2000S	EXTREME
1	MANUAL RUN	RED	BROWN
2	L1	BLACK	RED
3	L2	WHITE	BLACK
4	GND	GREEN	GRN/YEL
5	ALARM FEED	ORANGE	YELLOW
6	ALARM RETURN	BLUE	BLUE

NKS	SGS	03-29-17	-	N/A
DR BY	CHK'D	DATE	ISSUE	SCALE



SEWER SYSTEMS

QUAD T260 ALTERNATING PANEL
240V 60Hz DOUBLE POLE POWER
WIRED LEVEL CONTROL

NA0610P04



LISTED 506D