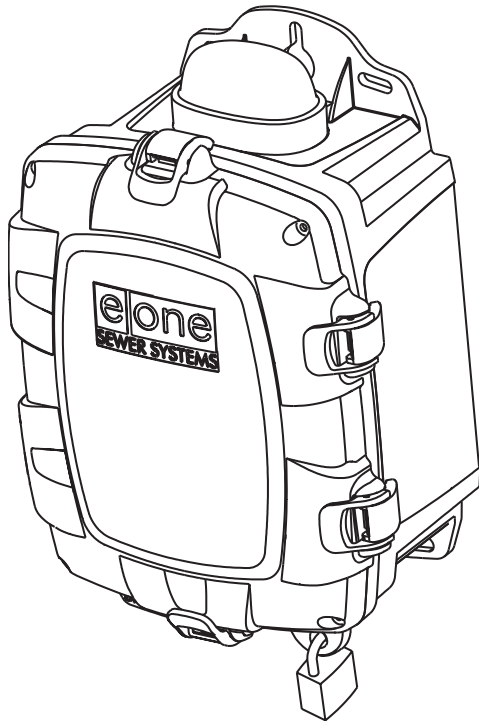


E/One Sentry™

Alarm Panel — Protect Package



Description

The E/One Sentry panels are custom designed for use with Environment One grinder pump stations. They can be configured to meet the needs of your application, from basic alarm indication to advanced warning of pending service requirements.

E/One Sentry panels are supplied with audible and visual high level alarms. They are easily installed in accordance with relevant national and local codes. Standard panels are approved by UL, CSA, CE and NSF to ensure high quality and safety.

The panel features a corrosion-proof, NEMA 4X-rated, thermoplastic enclosure. A padlock is provided to prevent unauthorized entry (safety front).

Standard Features

Includes all features of the basic configuration of the E/One Sentry panel, including circuit breakers, 240 or 120 VAC service, terminal blocks and ground lugs, audible alarm with manual silence, manual run feature and run indicator, redundant “Start” function with high level alarm, safety front, conformal-coated board, overload protection, as well as:

Trouble indication that shuts down the pump temporarily in the event of an unacceptable operating condition, including:

- Brownout conditions with the electrical power supply
- System over-pressure condition such as with a closed valve
- Run-dry operation of the pump

Inner cover (dead front)

Contact group — dry and Remote Sentry

Optional Features

Hour meter

Generator receptacle with auto transfer

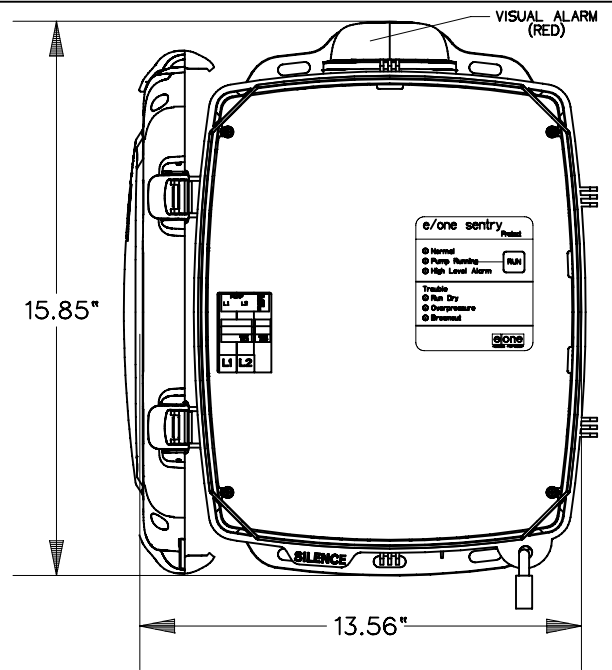
GFCI

Main service disconnect

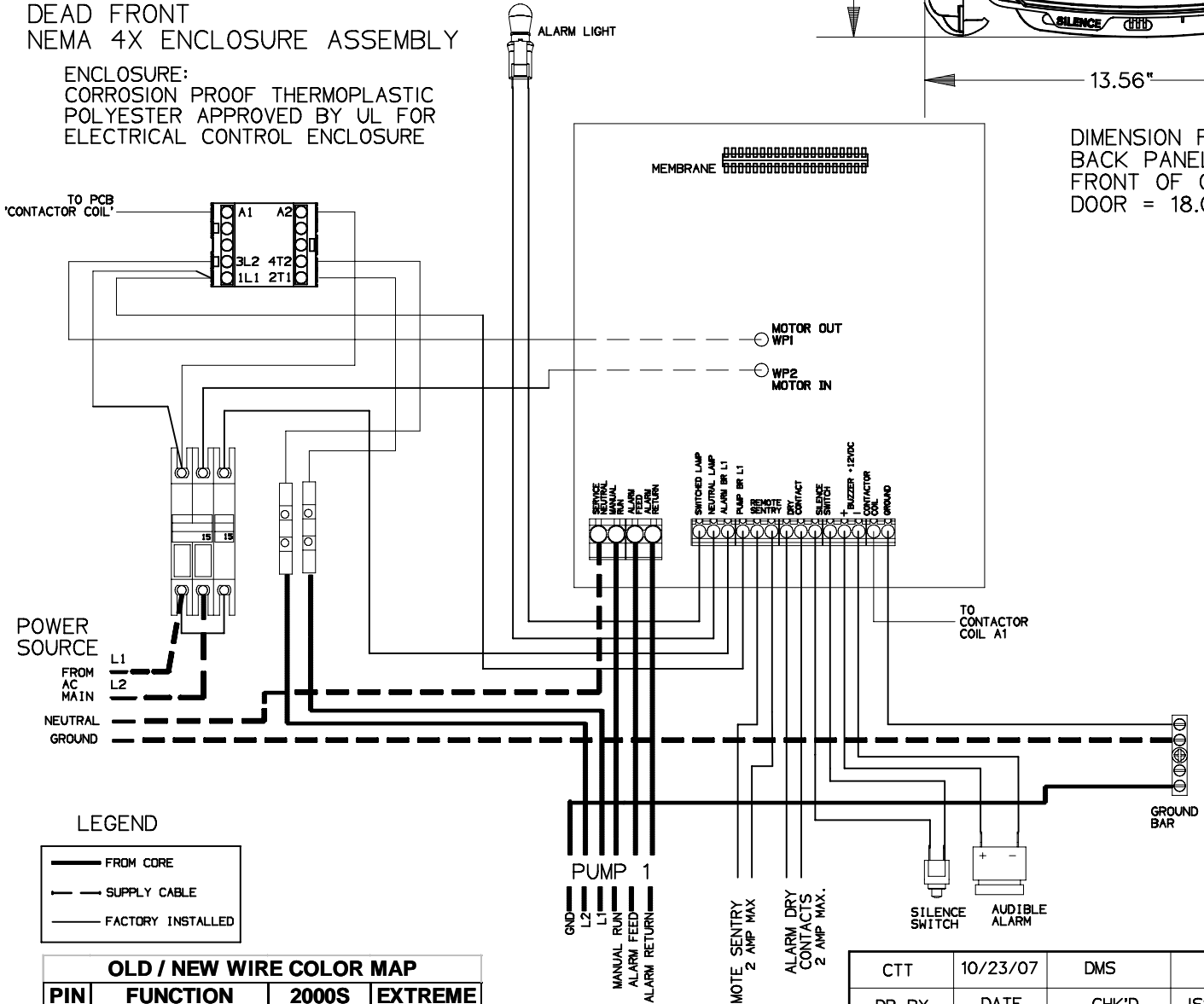
Please consult factory for special applications.

SENTRY PROTECT SIMPLEX

- REDUNDANT RUN (HIGH LEVEL)
- EXTERNAL VISUAL & AUDIBLE ALARM
- REMOTE SENTRY DRY CONTACTS FOR
- OPTIONAL POWER LOSS HIGH LEVEL
- ALARM (POWER LOSS ALARM FOR WIRELESS)
- MANUAL ALARM SILENCE
- MANUAL RUN
- STATUS LED'S: NORMAL, PUMP RUNNING, HIGH LEVEL
- TROUBLE LED'S: RUN DRY, OVERPRESSURE, BROWNOUT
- DRY CONTACTS
- CONFORMAL COATED CIRCUIT BOARD (BOTH SIDES)
- PADLOCK
- DEAD FRONT
- NEMA 4X ENCLOSURE ASSEMBLY



DIMENSION FROM
BACK PANEL TO
FRONT OF OPEN
DOOR = 18.02"



LEGEND

	FROM CORE
	SUPPLY CABLE
	FACTORY INSTALLED

OLD / NEW WIRE COLOR MAP

PIN	FUNCTION	2000S	EXTREME
1	MANUAL RUN	RED	BROWN
2	L1	BLACK	RED
3	L2	WHITE	BLACK
4	GND	GREEN	GRN/YEL
5	ALARM FEED	ORANGE	YELLOW
6	ALARM RETURN	BLUE	BLUE

CONTROL CABLE:

TYPE TC: DIRECT BURIAL,
SIX CONDUCTOR



CTT	10/23/07	DMS	B	06/23/11
DR BY	DATE	CHK'D	ISSUE	DATE



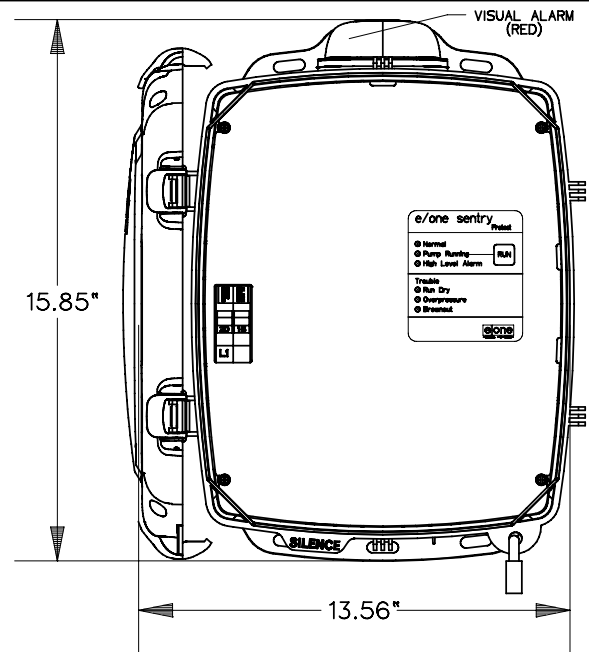
SENTRY SIMPLEX PROTECT PANEL, 240V
60Hz DOUBLE POLE POWER

NA0075P03

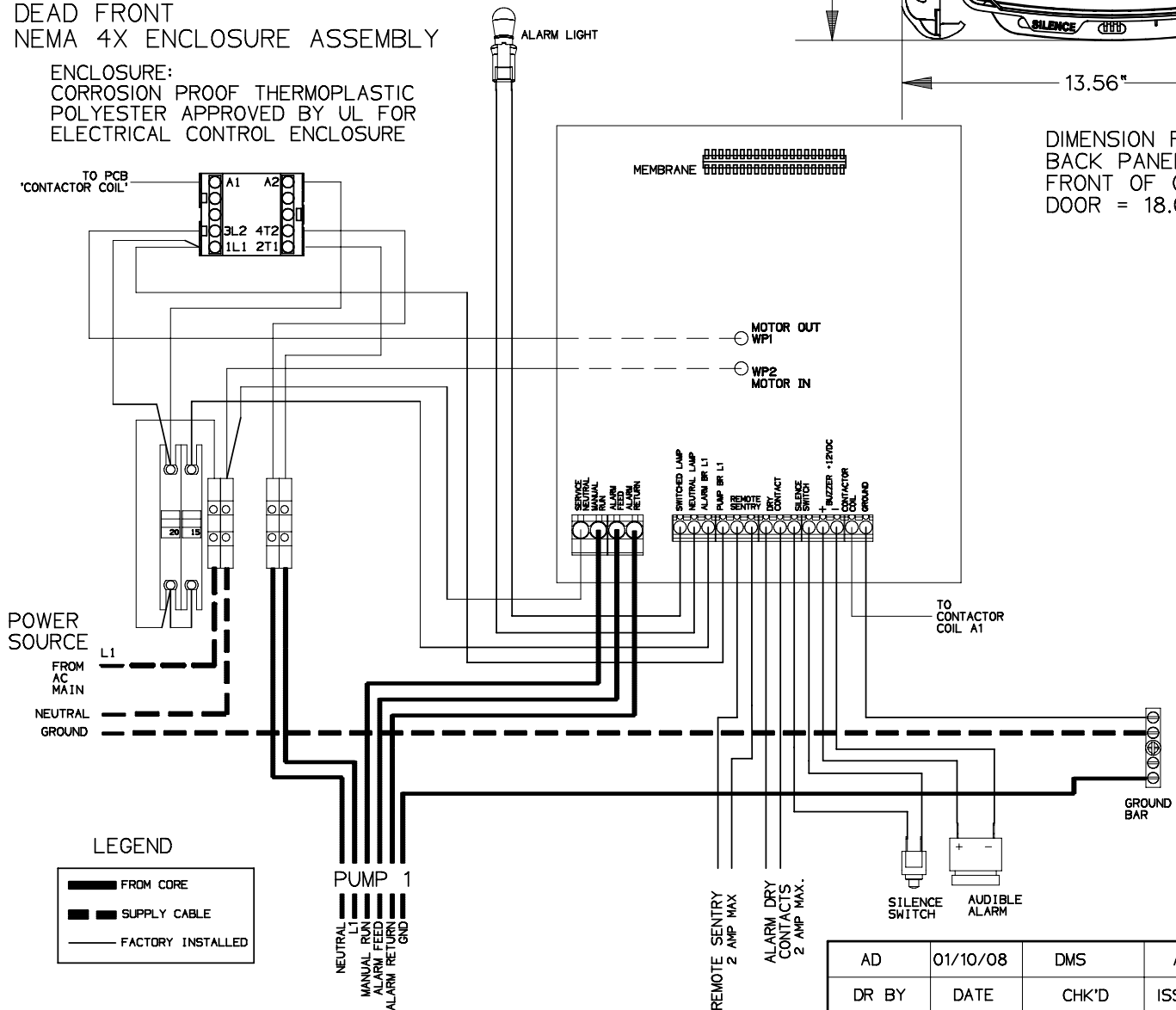
SENTRY PROTECT SIMPLEX

- REDUNDANT RUN (HIGH LEVEL)
- EXTERNAL VISUAL & AUDIBLE ALARM
- REMOTE SENTRY DRY CONTACTS FOR
OPTIONAL POWER LOSS HIGH LEVEL
ALARM (POWER LOSS ALARM FOR WIRELESS)
- MANUAL ALARM SILENCE
- MANUAL RUN
- STATUS LED'S: NORMAL, PUMP RUNNING, HIGH LEVEL
- TROUBLE LED'S: RUN DRY, OVERPRESSURE, BROWNOUT
- DRY CONTACTS
- CONFORMAL COATED CIRCUIT BOARD (BOTH SIDES)
- PADLOCK
- DEAD FRONT
- NEMA 4X ENCLOSURE ASSEMBLY

ENCLOSURE:
CORROSION PROOF THERMOPLASTIC
POLYESTER APPROVED BY UL FOR
ELECTRICAL CONTROL ENCLOSURE



DIMENSION FROM
BACK PANEL TO
FRONT OF OPEN
DOOR = 18.02"



LEGEND

	FROM CORE
	SUPPLY CABLE
	FACTORY INSTALLED

OLD / NEW WIRE COLOR MAP			
PIN	FUNCTION	2000S	EXTREME
1	MANUAL RUN	RED	BROWN
2	L1	BLACK	RED
3	NEUTRAL	WHITE	BLACK
4	GND	GREEN	GRN/YEL
5	ALARM FEED	ORANGE	YELLOW
6	ALARM RETURN	BLUE	BLUE

CONTROL CABLE:
TYPE TC: DIRECT BURIAL,
SIX CONDUCTOR

AD	01/10/08	DMS	A	06/23/11
DR BY	DATE	CHK'D	ISSUE	DATE



SENTRY PROTECT PANEL SIMPLEX
120V SINGLE POLE POWER

NA0075P04